



RACCORDI E ACCESSORI

fittings **ФИТИНГИ**

- I componenti prodotti dalla AZ Pneumatica sono il risultato di venticinque anni di esperienza nel settore della distribuzione e controllo dell'aria compressa. I sistemi utilizzati nella produzione di serie garantiscono alta affidabilità e prestazioni in grado di soddisfare tutte le esigenze applicative.

Le più avanzate tecnologie di produzione assicurano alla AZ Pneumatica elevati standard qualitativi e consentono di adattare con grande flessibilità tutti i prodotti alle più svariate applicazioni, con l'obiettivo di offrire il prodotto giusto per ogni esigenza.

- *The equipment and components which AZ Pneumatica manufactures are the result of twenty-five years experience in the field of compressed air distribution and control. The design and production techniques which are employed for the complete production range guarantee high reliability and performance that will satisfy all applications. Thanks to investment in the latest production techniques AZ Pneumatica can guarantee a high standard of quality and a flexible approach to adapt the product range to customer requirements.*

- Фирма AZ Pneumatica с 1982 года занимается проектированием, конструированием и производством клапанов, распределителей, цилиндров, фитингов и другого пневматического оборудования. В процессе производства применяются новейшие технологии, созданные на базе проектирования особой точности.

Их использование способствовало развитию стандартного спектра продукции, на котором основывается присутствие AZ Pneumatica на рынке Италии и ещё более 50 стран. Коммерческая сеть фирмы находится в постоянном развитии. Наши представители компетентно ответят на вопросы клиентов и предоставят возможность поставки продукции в кратчайшие сроки.





| | pagina page стр. |
|--------------------------------------------------------------------------------------------------------------------------------------------------------------------------------------|------------------------|
| • Raccordi automatici in ottone nichelato <i>Push-in fittings in nickeled brass</i> Фитинги цанговые быстроразъёмные из никелированной латуни | 3 |
| • Raccordi automatici INOX <i>Push-in fittings in stainless steel</i> Фитинги цанговые быстроразъёмные из нержавеющей стали | 15 |
| • Raccordi automatici in polimero <i>Push-in fittings in polymer</i> Фитинги цанговые быстроразъёмные из пластмассы | 20 |
| • Raccordi filettati standard in ottone nichelato <i>Standard threaded fittings in nickeled brass</i> Соединения и переходники резьбовые из никелированной латуни | 36 |
| • Raccordi a calzamento in ottone nichelato <i>Quick fittings in nickeled brass</i> Фитинги с накидной гайкой из никелированной латуни | 45 |
| • Raccordi a ogiva bicono in ottone nichelato <i>Compression fittings in nickeled brass</i> Универсальные обжимные фитинги из никелированной латуни | 52 |
| • Innesti rapidi in ottone nichelato <i>Quick couplings in nickeled brass</i> Быстроразъёмные муфты с самозапираанием из никелированной латуни | 56 |
| • Accessori <i>Accessories</i> Принадлежности | 60 |
| • Indici alfanumerici <i>Product reference directories</i> Указатель продукции | 68 |

dati tecnici raccordi automatici in ottone

technical data технические данные



| diametro esterno tubo <i>external diameter of tube</i> наружный диам. трубки | diametro interno tubo <i>internal diameter of tube</i> внутренний диам. трубки | pressione di esercizio [bar] dei raccordi con tubi per aria <i>working pressure [bar] with hoses for air</i> рабочее давление [bar] с трубками для воздуха | | |
|------------------------------------------------------------------------------------|--------------------------------------------------------------------------------------|------------------------------------------------------------------------------------------------------------------------------------------------------------------|---------------|---------------|
| | | -20 ... +30°C | +31 ... +50°C | +51 ... +70°C |
| 4 mm | 2 mm | 16 | 14 | 12 |
| 5 mm | 3 mm | 16 | 14 | 12 |
| 6 mm | 4 mm | 16 | 14 | 12 |
| 8 mm | 6 mm | 14 | 14 | 10 |
| 10 mm | 8 mm | 14 | 12 | 8 |
| 12 mm | 10 mm | 14 | 12 | 8 |
| 14 mm | 12 mm | 12 | 10 | 6 |

| tolleranze ammesse per i tubi PA11 e PA12 <i>tolerances for hoses PA11 and PA12</i> допускаемое отклонение для трубок PA11 и PA12 | |
|-----------------------------------------------------------------------------------------------------------------------------------------|----------------------------------------------|
| diametro esterno tubo <i>external diameter of tube</i> наружный диам. трубки | tolleranza <i>tolerance</i> отклонение |
| 4 ... 8 mm | -0.08 ... +0.05 |
| 10 ... 14 mm | -0.1 ... +0.05 |

| tolleranze ammesse per i tubi in poliuretano (PU) <i>tolerances for polyurethane (PU) hoses</i> допускаемое отклонение для полиуретановых трубок (PU) | |
|-------------------------------------------------------------------------------------------------------------------------------------------------------------|----------------------------------------------|
| diametro esterno tubo <i>external diameter of tube</i> наружный диам. трубки | tolleranza <i>tolerance</i> отклонение |
| 4 ... 8 mm | -0.1 ... +0.1 |
| 10 ... 14 mm | -0.1 ... +0.15 |

Materiali

Corpo: ottone OT58 nichelato

Pinza: acciaio

Guarnizioni: NBR

Materials

Body: nickeled brass OT58

Clamp: steel

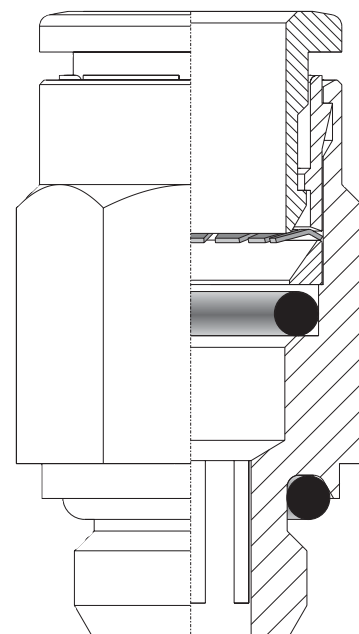
Seals: NBR

Материалы

Корпус: никелированная латунь OT58

Цанга: сталь

Уплотнения: резина NBR



| | |
|-----------------------------------------------------------------------------|---------------------------------------------------------------------------------------------------------------------------------------------|
| Temperatura di esercizio <i>Temperature range</i> Рабочая температура | -20 ... +70°C |
| Fluido <i>Fluid</i> Рабочая среда | Aria filtrata con o senza lubrificazione <i>filtered, lubricated or non lubricated air</i> очищенный сжатый воздух со смазкой или без |

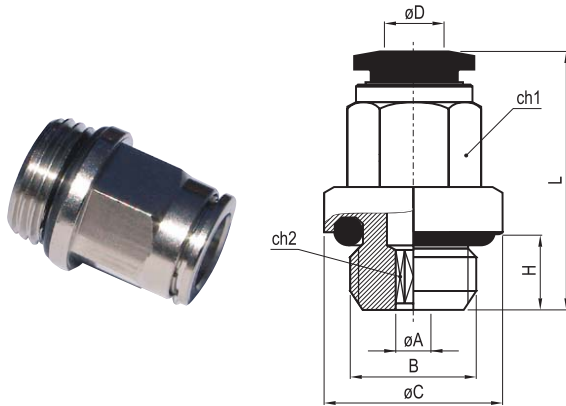
raccordi automatici in ottone

push-in fittings фитинги цанговые быстроразъёмные



RP020

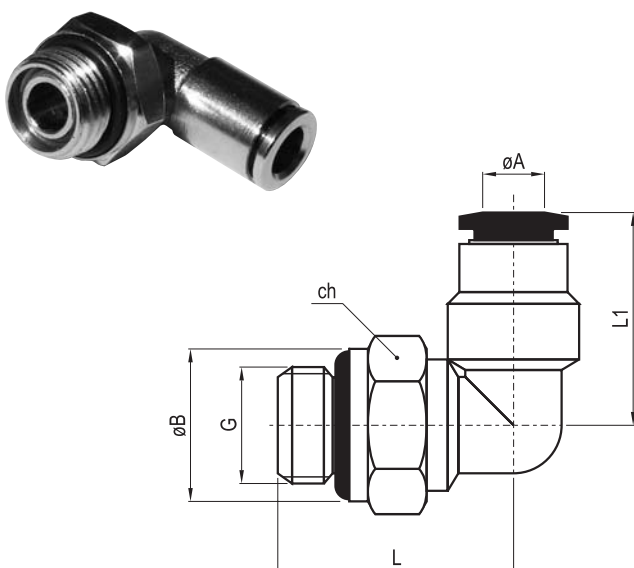
Raccordo diretto maschio cilindrico
Straight male fitting, with cylindric thread
Фитинг прямой с цилиндрической резьбой и уплотнительным кольцом



| tubo (øD) tube трубка | B | øA | øC | H | L | ch1 | ch2 | confez. package упак. | codice code код |
|-----------------------------|----------|------|------|----|------|-----|-----|-----------------------------|-----------------------|
| 4 | M5 | 2.6 | 9 | 4 | 20.5 | - | 2.5 | 50 | 36.001.0 |
| 4 | G1/8" | 2.6 | 13.5 | 6 | 20 | 9 | 2.5 | 50 | 36.002.0 |
| 4 | G1/4" | 2.6 | 17 | 8 | 21 | 9 | 2.5 | 50 | 36.003.0 |
| 5 | M5 | 2.6 | 9.5 | 4 | 22 | - | 2.5 | 50 | 36.004.0 |
| 5 | G1/8" | 4.2 | 13.5 | 6 | 22 | 10 | 4 | 50 | 36.005.0 |
| 5 | G1/4" | 4.2 | 17 | 8 | 22 | 10 | 4 | 50 | 36.006.0 |
| 6 | M5 | 2.6 | 10.5 | 4 | 22.5 | - | 2.5 | 50 | 36.007.0 |
| 6 | M12x1.25 | 4.2 | 16 | 8 | 24 | 11 | 4 | 50 | 36.1375.0 |
| 6 | M12x1.5 | 4.2 | 16 | 8 | 24 | 11 | 4 | 50 | 36.1376.0 |
| 6 | G1/8" | 4.2 | 13.5 | 6 | 24 | 11 | 4 | 50 | 36.008.0 |
| 6 | G1/4" | 4.2 | 17 | 8 | 24 | 11 | 4 | 50 | 36.009.0 |
| 8 | G1/8" | 5.2 | 13 | 6 | 26.5 | 13 | 5 | 50 | 36.010.0 |
| 8 | G1/4" | 6.2 | 17 | 8 | 25 | 13 | 6 | 50 | 36.011.0 |
| 8 | G3/8" | 6.2 | 20 | 9 | 25 | 13 | 6 | 50 | 36.012.0 |
| 10 | G1/4" | 7.3 | 16 | 8 | 29.5 | 16 | 7 | 50 | 36.013.0 |
| 10 | G3/8" | 8.3 | 21 | 9 | 29.5 | 16 | 8 | 50 | 36.014.0 |
| 12 | G1/4" | 7.3 | 16 | 8 | 31.5 | 18 | 7 | 50 | 36.015.0 |
| 12 | G3/8" | 10.3 | 21 | 9 | 31 | 18 | 10 | 25 | 36.016.0 |
| 12 | G1/2" | 10.3 | 24 | 11 | 31 | 18 | 10 | 25 | 36.017.0 |
| 14 | G3/8" | 10.3 | 21 | 9 | 34 | 21 | 10 | 25 | 36.018.0 |
| 14 | G1/2" | 12.3 | 25 | 11 | 34 | 21 | 12 | 25 | 36.019.0 |

RP115

Raccordo a L orientabile maschio cilindrico
Swivel L-fitting with cylindric thread
Поворотный L-образный фитинг с цилиндрической резьбой и уплотнительным кольцом



| tubo (øA) tube трубка | G | øB | L1 | L | ch | confez. package упак. | codice code код |
|-----------------------------|----------|----|----|------|----|-----------------------------|-----------------------|
| 4 | M5 | 8 | 17 | 14.5 | 9 | 50 | 36.232.0 |
| 4 | G1/8" | 13 | 17 | 20 | 13 | 50 | 36.233.0 |
| 4 | G1/4" | 16 | 17 | 24 | 13 | 50 | 36.234.0 |
| 6 | M5 | 8 | 21 | 14.5 | 9 | 50 | 36.235.0 |
| 6 | M12x1.25 | 16 | 19 | 25 | 13 | 50 | 36.1377.0 |
| 6 | M12x1.5 | 16 | 19 | 25 | 13 | 50 | 36.1378.0 |
| 6 | G1/8" | 13 | 21 | 20 | 13 | 50 | 36.236.0 |
| 6 | G1/4" | 16 | 21 | 24 | 13 | 50 | 36.237.0 |
| 8 | G1/8" | 13 | 24 | 20 | 13 | 50 | 36.238.0 |
| 8 | G1/4" | 16 | 24 | 24 | 13 | 50 | 36.239.0 |
| 8 | G3/8" | 20 | 24 | 25.5 | 13 | 50 | 36.240.0 |
| 10 | G1/4" | 16 | 27 | 24 | 16 | 50 | 36.241.0 |
| 10 | G3/8" | 20 | 27 | 28 | 16 | 50 | 36.242.0 |
| 10 | G1/2" | 25 | 27 | 30 | 16 | 25 | 36.638.0 |
| 12 | G1/4" | 16 | 28 | 27.5 | 20 | 50 | 36.243.0 |
| 12 | G3/8" | 20 | 28 | 28.5 | 20 | 25 | 36.244.0 |
| 12 | G1/2" | 25 | 28 | 33.5 | 20 | 25 | 36.245.0 |
| 14 | G3/8" | 20 | 31 | 28.5 | 20 | 25 | 36.246.0 |
| 14 | G1/2" | 25 | 31 | 33.5 | 20 | 25 | 36.247.0 |

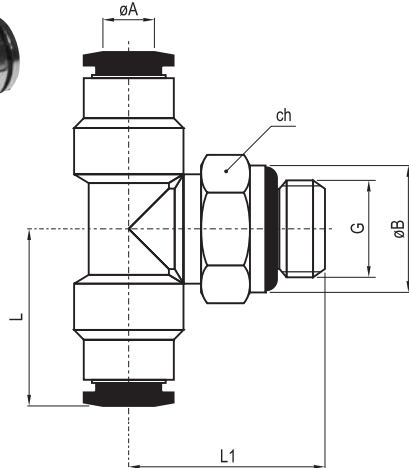
raccordi automatici in ottone

push-in fittings фитинги цанговые быстроразъёмные



RP215

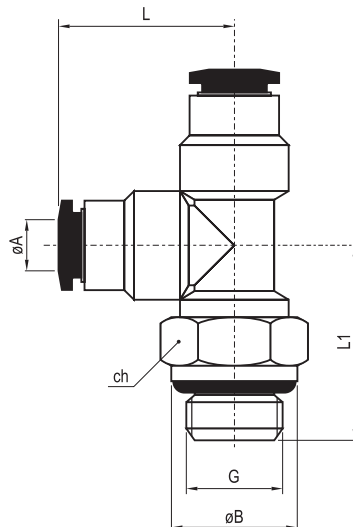
Raccordo a T orientabile maschio cilindrico
Swivel T-fitting, cylindric thread on the central leg
Поворотный Т-образный фитинг с цилиндрической резьбой и уплотнительным кольцом



| tubo (ϕA) tube трубка | G | ϕB | L | L1 | ch | confez. package упак. | codice code код |
|-------------------------------------|-------|----------|------|------|----|-----------------------------|-----------------------|
| 4 | M5 | 8 | 17.5 | 16.5 | 9 | 50 | 36.208.0 |
| 4 | G1/8" | 13 | 17.5 | 20 | 13 | 50 | 36.209.0 |
| 4 | G1/4" | 16 | 19 | 24 | 13 | 50 | 36.210.0 |
| 6 | G1/8" | 13 | 21 | 20 | 13 | 50 | 36.211.0 |
| 6 | G1/4" | 16 | 21 | 24 | 13 | 50 | 36.212.0 |
| 8 | G1/8" | 13 | 23 | 20 | 13 | 50 | 36.213.0 |
| 8 | G1/4" | 16 | 23 | 24 | 13 | 50 | 36.214.0 |
| 8 | G3/8" | 20 | 25.5 | 25.5 | 13 | 50 | 36.215.0 |
| 10 | G1/4" | 16 | 25.5 | 28 | 16 | 50 | 36.216.0 |
| 10 | G3/8" | 20 | 25.5 | 29 | 16 | 50 | 36.217.0 |
| 12 | G1/4" | 16 | 27 | 30.5 | 16 | 50 | 36.218.0 |
| 12 | G3/8" | 20 | 27 | 28.5 | 20 | 25 | 36.219.0 |

RP225

Raccordo a T orientabile maschio laterale cilindrico
Swivel T-fitting, cylindric thread on the lateral leg
Поворотный Т-образный фитинг с боковой цилиндрической резьбой и уплотнительным кольцом



| tubo (ϕA) tube трубка | G | ϕB | L | L1 | ch | confez. package упак. | codice code код |
|-------------------------------------|-------|----------|------|------|----|-----------------------------|-----------------------|
| 4 | M5 | 8 | 17.5 | 16.5 | 9 | 50 | 36.220.0 |
| 4 | G1/8" | 13 | 17.5 | 20 | 13 | 50 | 36.221.0 |
| 4 | G1/4" | 16 | 19 | 24 | 13 | 50 | 36.222.0 |
| 6 | G1/8" | 13 | 19.5 | 20 | 13 | 50 | 36.223.0 |
| 6 | G1/4" | 16 | 21 | 24 | 13 | 50 | 36.224.0 |
| 8 | G1/8" | 13 | 23 | 20 | 13 | 50 | 36.225.0 |
| 8 | G1/4" | 16 | 23 | 24 | 13 | 50 | 36.226.0 |
| 8 | G3/8" | 20 | 25.5 | 25.5 | 13 | 50 | 36.227.0 |
| 10 | G1/4" | 16 | 25.5 | 24 | 16 | 50 | 36.228.0 |
| 10 | G3/8" | 20 | 25.5 | 28 | 16 | 50 | 36.229.0 |
| 12 | G1/4" | 16 | 27 | 30.5 | 16 | 50 | 36.230.0 |
| 12 | G3/8" | 20 | 27 | 28.5 | 20 | 25 | 36.231.0 |

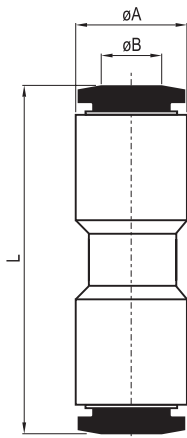
raccordi automatici in ottone

push-in fittings фитинги цанговые быстроразъёмные



RP040

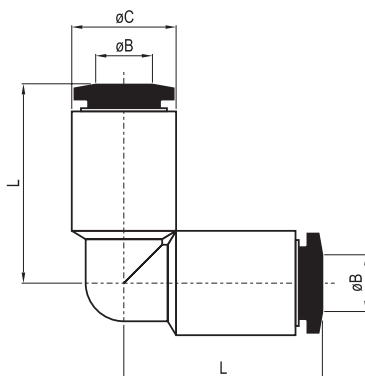
Raccordo diritto intermedio
Intermediate straight connector
Фитинг-соединитель прямой



| tubo (øB) tube трубка | øA | L | confez. package упак. | codice code код |
|-----------------------------|-----|------|-----------------------------|-----------------------|
| 4 | 9 | 30 | 50 | 36.028.0 |
| 5 | 9.5 | 32 | 50 | 36.029.0 |
| 6 | 11 | 31.5 | 50 | 36.030.0 |
| 8 | 13 | 36 | 50 | 36.031.0 |
| 10 | 15 | 37 | 50 | 36.032.0 |
| 12 | 17 | 40.5 | 50 | 36.033.0 |
| 14 | 20 | 45 | 50 | 36.034.0 |

RP130

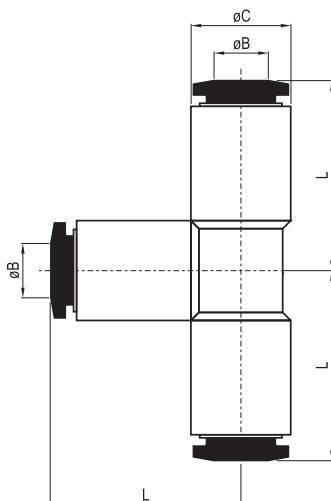
Raccordo a L intermedio
Intermediate elbow connector
L-образный фитинг-соединитель



| tubo (øB) tube трубка | øC | L | confez. package упак. | codice code код |
|-----------------------------|-----|------|-----------------------------|-----------------------|
| 4 | 9 | 17.5 | 50 | 36.035.0 |
| 5 | 9.5 | 19 | 50 | 36.036.0 |
| 6 | 11 | 19.5 | 50 | 36.037.0 |
| 8 | 13 | 23 | 50 | 36.038.0 |
| 10 | 15 | 25 | 50 | 36.039.0 |
| 12 | 17 | 27 | 25 | 36.040.0 |
| 14 | 20 | 30 | 25 | 36.041.0 |

RP230

Raccordo a T intermedio
T-connector
Т-образный фитинг-соединитель



| tubo (øB) tube трубка | øC | L | confez. package упак. | codice code код |
|-----------------------------|-----|------|-----------------------------|-----------------------|
| 4 | 9 | 17.5 | 50 | 36.042.0 |
| 5 | 9.5 | 19 | 50 | 36.043.0 |
| 6 | 11 | 19.5 | 50 | 36.044.0 |
| 8 | 13 | 23 | 50 | 36.045.0 |
| 10 | 15 | 25 | 20 | 36.046.0 |
| 12 | 17 | 27 | 20 | 36.047.0 |
| 14 | 20 | 30 | 20 | 36.048.0 |

raccordi automatici in ottone

push-in fittings фитинги цанговые быстроразъёмные

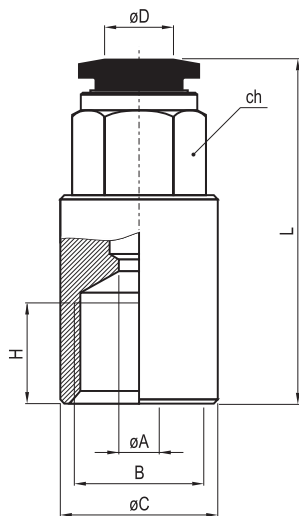


RP030

Raccordo diritto femmina

Straight female fitting

Фитинг прямой с внутренней цилиндрической резьбой



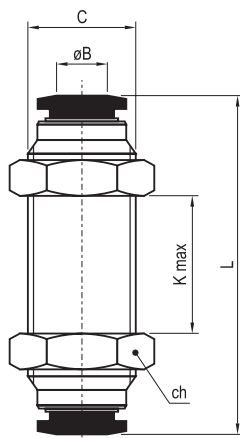
| tubo (ϕD) tube трубка | B | ϕA | ϕC | H | L | ch | confez. package упак. | codice code код |
|-------------------------------------|-------|----------|----------|-----|------|----|-----------------------------|-----------------------|
| 4 | G1/8" | 3 | 12 | 6.5 | 26.5 | 9 | 50 | 36.020.0 |
| 4 | G1/4" | 3 | 17 | 10 | 29.5 | 9 | 50 | 36.021.0 |
| 5 | G1/8" | 4 | 12 | 6.5 | 27 | 10 | 50 | 36.022.0 |
| 5 | G1/4" | 4 | 16 | 10 | 30 | 10 | 50 | 36.023.0 |
| 6 | G1/8" | 5 | 12 | 6.5 | 27 | 11 | 50 | 36.024.0 |
| 6 | G1/4" | 5 | 17 | 10 | 31 | 11 | 50 | 36.025.0 |
| 8 | G1/8" | 7 | 12 | 6.5 | 28 | 13 | 50 | 36.026.0 |
| 8 | G1/4" | 7 | 17 | 10 | 32 | 13 | 50 | 36.027.0 |

RP050

Raccordo diritto intermedio passaparete

Intermediate straight connector for panel mounting

Фитинг-соединитель прямой с монтажной резьбой на корпусе и гайками



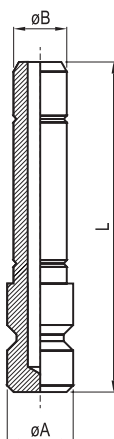
| tubo (ϕB) tube трубка | C | L | K max | ch | confez. package упак. | codice code код |
|-------------------------------------|-------|------|-------|----|-----------------------------|-----------------------|
| 4 | M10x1 | 32 | 8 | 13 | 50 | 36.102.0 |
| 5 | M11x1 | 33 | 8 | 14 | 50 | 36.103.0 |
| 6 | M14x1 | 33.5 | 8 | 17 | 50 | 36.104.0 |
| 8 | M16x1 | 37 | 10 | 18 | 50 | 36.105.0 |
| 10 | M17x1 | 39.5 | 12 | 20 | 25 | 36.106.0 |
| 12 | M20x1 | 42 | 17 | 24 | 25 | 36.107.0 |
| 14 | M22x1 | 45 | 18 | 25 | 25 | 36.108.0 |

RP610

Tappo

Plug

Заглушка



| ϕB | ϕA | L | confez. package упак. | codice code код |
|----------|----------|------|-----------------------------|-----------------------|
| 4 | 5 | 25.5 | 50 | 36.095.0 |
| 5 | 6 | 26.5 | 50 | 36.096.0 |
| 6 | 7 | 27.5 | 50 | 36.097.0 |
| 8 | 9 | 30 | 50 | 36.098.0 |
| 10 | 11 | 35 | 25 | 36.099.0 |
| 12 | 13 | 37 | 25 | 36.100.0 |
| 14 | 15 | 39.5 | 25 | 36.101.0 |

raccordi automatici in ottone

push-in fittings фитинги цанговые быстроразъёмные

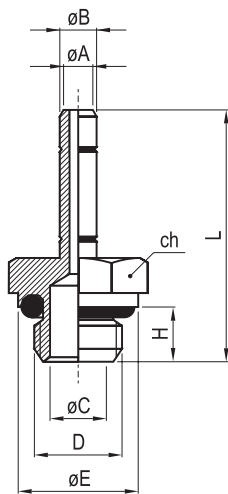


RP600

Innesto con filetto maschio cilindrico

Adaptor with male cylindric thread

Штуцер с цилиндрической резьбой под цанговый фитинг



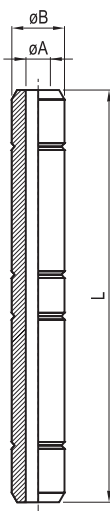
| ϕB | D | ϕA | ϕE | H | L | ϕC | ch | confez. package упак. | codice code КОД |
|----------|-------|----------|----------|----|------|----------|----|-----------------------|-----------------|
| 4 | M5 | 2 | 8 | 4 | 24.5 | 2 | 8 | 50 | 36.049.0 |
| 4 | G1/8" | 2 | 13 | 6 | 27.7 | 6 | 13 | 50 | 36.050.0 |
| 4 | G1/4" | 2 | 16 | 8 | 30.2 | 7.5 | 13 | 50 | 36.051.0 |
| 5 | M5 | 2.6 | 8 | 4 | 25 | 2.6 | 8 | 50 | 36.052.0 |
| 5 | G1/8" | 3 | 13 | 6 | 28 | 5.5 | 13 | 50 | 36.053.0 |
| 5 | G1/4" | 3 | 16 | 8 | 31 | 7.5 | 13 | 50 | 36.054.0 |
| 6 | M5 | 2.6 | 8 | 4 | 26 | 2.6 | 8 | 50 | 36.055.0 |
| 6 | G1/8" | 4 | 13 | 6 | 29.5 | 6 | 13 | 50 | 36.056.0 |
| 6 | G1/4" | 4 | 16 | 8 | 32 | 7.5 | 13 | 50 | 36.057.0 |
| 8 | G1/8" | 6 | 13 | 6 | 31 | 6 | 13 | 50 | 36.058.0 |
| 8 | G1/4" | 6 | 16 | 8 | 33.5 | 7.5 | 13 | 50 | 36.059.0 |
| 8 | G3/8" | 6 | 20 | 9 | 35.5 | 9 | 13 | 50 | 36.060.0 |
| 10 | G1/8" | 6 | 13 | 6 | 35.5 | 6 | 13 | 50 | 36.061.0 |
| 10 | G1/4" | 8 | 16 | 8 | 38 | 8 | 13 | 50 | 36.062.0 |
| 10 | G3/8" | 8 | 20 | 9 | 41 | 8 | 13 | 50 | 36.063.0 |
| 12 | G1/4" | 10 | 16 | 8 | 39 | 10 | 13 | 50 | 36.064.0 |
| 12 | G3/8" | 10 | 20 | 9 | 42 | 11 | 13 | 25 | 36.065.0 |
| 12 | G1/2" | 10 | 24 | 11 | 44 | 13 | 16 | 25 | 36.066.0 |
| 14 | G3/8" | 12 | 20 | 9 | 44 | 12 | 16 | 25 | 36.067.0 |
| 14 | G1/2" | 12 | 24 | 11 | 46 | 13 | 16 | 25 | 36.068.0 |

RP625

Giunzione doppia

Double connector for push-in fittings

Трубка-соединитель к цанговым фитингам



| ϕB | ϕA | L | confez. package упак. | codice code КОД |
|----------|----------|------|-----------------------|-----------------|
| 4 | 2 | 32 | 50 | 36.069.0 |
| 5 | 3 | 33 | 50 | 36.070.0 |
| 6 | 4 | 35 | 50 | 36.071.0 |
| 8 | 6 | 38 | 50 | 36.072.0 |
| 10 | 8 | 45.5 | 50 | 36.073.0 |
| 12 | 10 | 48 | 25 | 36.074.0 |
| 14 | 12 | 52 | 20 | 36.075.0 |

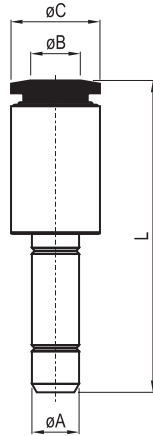
raccordi automatici in ottone

push-in fittings фитинги цанговые быстроразъёмные



RP700

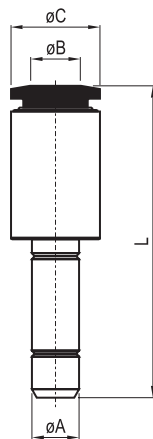
Riduzione
Reducer
Редуктор



| øA | tubo (øB) tube трубка | øC | L | confez. package упак. | codice code код |
|----|-----------------------------|------|------|-----------------------------|-----------------------|
| 5 | 4 | 9 | 32.5 | 50 | 36.076.0 |
| 6 | 4 | 9 | 28.5 | 50 | 36.077.0 |
| 6 | 5 | 9.5 | 35.5 | 50 | 36.078.0 |
| 8 | 4 | 9 | 31 | 50 | 36.079.0 |
| 8 | 5 | 9.5 | 32.5 | 50 | 36.080.0 |
| 8 | 6 | 10.5 | 33.5 | 50 | 36.081.0 |
| 10 | 6 | 10.5 | 36.5 | 50 | 36.082.0 |
| 10 | 8 | 13 | 38 | 50 | 36.083.0 |
| 12 | 4 | 13 | 39.5 | 25 | 36.084.0 |
| 12 | 6 | 13 | 39.5 | 25 | 36.085.0 |
| 12 | 8 | 13 | 38.5 | 25 | 36.086.0 |
| 12 | 10 | 15 | 41 | 25 | 36.087.0 |
| 14 | 4 | 15 | 43 | 25 | 36.088.0 |
| 14 | 6 | 15 | 43 | 25 | 36.089.0 |
| 14 | 8 | 15 | 43 | 25 | 36.090.0 |
| 14 | 10 | 15 | 43 | 25 | 36.091.0 |
| 14 | 12 | 17 | 43 | 25 | 36.092.0 |

RP710

Maggiorazione
Increaser
Расширитель



| øA | tubo (øB) tube трубка | øC | L | confez. package упак. | codice code код |
|----|-----------------------------|------|------|-----------------------------|-----------------------|
| 4 | 6 | 10.5 | 33.5 | 25 | 36.093.0 |
| 6 | 8 | 13 | 38 | 25 | 36.094.0 |

raccordi automatici in ottone

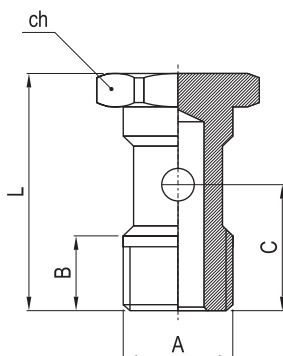
push-in fittings фитинги цанговые быстроразъёмные



RZ410

Vite cava singola
Single stem for banjo
Одиночный пустотелый болт

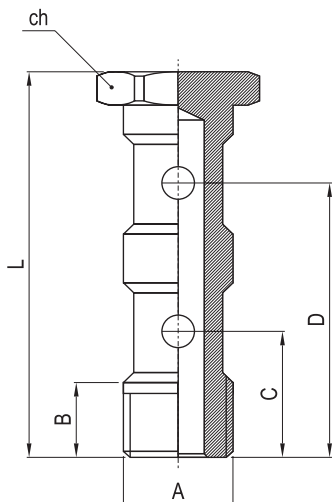
| A | B | C | L | ch | confez. package упак. | codice code код |
|-------|-----|------|------|----|-----------------------------|-----------------------|
| M5 | 7.6 | 9.6 | 17.5 | 8 | 50 | 36.611.0 |
| G1/8" | 9 | 14.5 | 27 | 14 | 50 | 36.612.0 |
| G1/4" | 13 | 18 | 33 | 17 | 50 | 36.613.0 |
| G3/8" | 12 | 21.5 | 37 | 22 | 50 | 36.614.0 |



RZ420

Vite cava doppia
Double stem for banjo
Двойной пустотелый болт

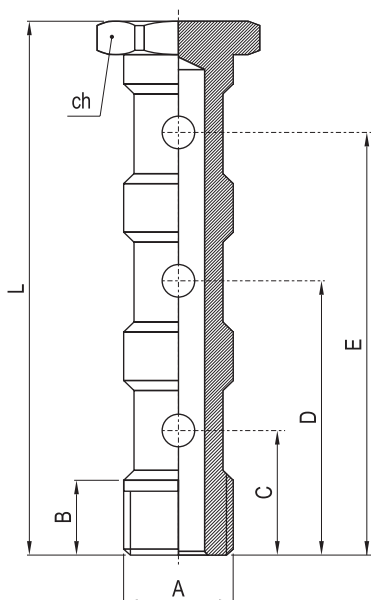
| A | B | C | D | L | ch | confez. package упак. | codice code код |
|-------|----|------|----|------|----|-----------------------------|-----------------------|
| G1/8" | 9 | 15 | 31 | 44.5 | 14 | 25 | 36.616.0 |
| G1/4" | 11 | 17 | 36 | 51.5 | 17 | 25 | 36.617.0 |
| G3/8" | 12 | 20.5 | 42 | 58.6 | 22 | 25 | 36.618.0 |



RZ430

Vite cava tripla
Triple stem for banjo
Тройной пустотелый болт

| A | B | C | D | E | L | ch | confez. package упак. | codice code код |
|-------|---|------|------|------|------|----|-----------------------------|-----------------------|
| G1/8" | 9 | 16 | 32 | 48 | 60 | 14 | 25 | 36.1369.0 |
| G1/4" | 8 | 16.5 | 32.5 | 48.5 | 62 | 17 | 25 | 36.1370.0 |
| G3/8" | 9 | 21 | 46 | 71 | 84.5 | 22 | 25 | 36.1371.0 |



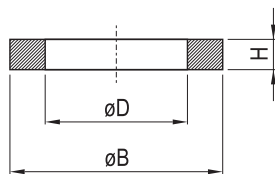
raccordi automatici in ottone

push-in fittings фитинги цанговые быстроразъёмные



RZ610

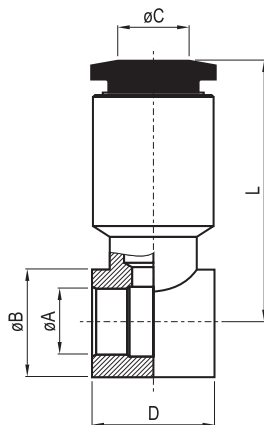
Rondella distanziatrice
Spacer washer
Уплотнительное кольцо



| vite screw болт | $\varnothing B$ | $\varnothing D$ | H | confez. package упак. | codice code код |
|-----------------------|-----------------|-----------------|-----|-----------------------------|-----------------------|
| M5 | 7.7 | 5.3 | 1 | 100 | 36.620.0 |
| G1/8" | 13 | 10.2 | 1.5 | 100 | 36.621.0 |
| G1/4" | 17.9 | 13.4 | 2 | 100 | 36.622.0 |
| G3/8" | 21.8 | 17.1 | 2 | 100 | 36.623.0 |

RP500

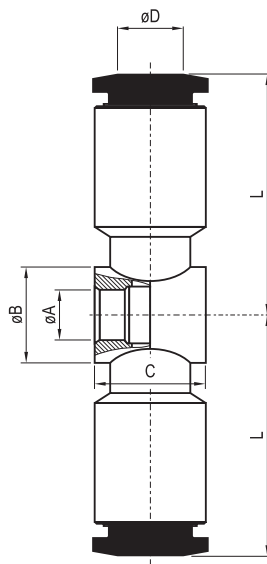
Anello semplice
Single banjo body
Фитинг-серьга к пустотелому болту



| tubo ($\varnothing C$) tube трубка | vite screw болт | $\varnothing A$ | $\varnothing B$ | D | L | confez. package упак. | codice code код |
|--------------------------------------------|-----------------------|-----------------|-----------------|----|------|-----------------------------|-----------------------|
| 4 | M5 | 5 | 7 | 9 | 19 | 50 | 36.109.0 |
| 4 | G1/8" | 9.9 | 14 | 15 | 21 | 50 | 36.110.0 |
| 5 | M5 | 5 | 7 | 9 | 19 | 50 | 36.111.0 |
| 5 | G1/8" | 9.9 | 14 | 15 | 22.5 | 50 | 36.112.0 |
| 6 | G1/8" | 9.9 | 14 | 15 | 23 | 50 | 36.113.0 |
| 6 | G1/4" | 13.3 | 18 | 17 | 24 | 50 | 36.114.0 |
| 8 | G1/8" | 9.9 | 14 | 15 | 24.5 | 50 | 36.115.0 |
| 8 | G1/4" | 13.3 | 18 | 17 | 26 | 50 | 36.116.0 |
| 8 | G3/8" | 16.6 | 21 | 20 | 28 | 50 | 36.117.0 |
| 10 | G1/4" | 13.3 | 18 | 17 | 27 | 50 | 36.118.0 |
| 10 | G3/8" | 16.6 | 21 | 20 | 29 | 25 | 36.119.0 |
| 12 | G1/4" | 13.3 | 18 | 17 | 28 | 25 | 36.120.0 |
| 12 | G3/8" | 16.6 | 21 | 20 | 30 | 25 | 36.121.0 |

RP510

Anello doppio
Double banjo body
Двойная фитинг-серьга к пустотелому болту



| tubo ($\varnothing D$) tube трубка | vite screw болт | $\varnothing A$ | $\varnothing B$ | C | L | confez. package упак. | codice code код |
|--------------------------------------------|-----------------------|-----------------|-----------------|-----|------|-----------------------------|-----------------------|
| 4 | M5 | 5 | 7 | 9 | 19 | 50 | 36.123.0 |
| 4 | G1/8" | 9.9 | 14 | 15 | 21 | 50 | 36.124.0 |
| 5 | M5 | 5 | 7 | 9.5 | 19.5 | 50 | 36.125.0 |
| 5 | G1/8" | 9.9 | 14 | 15 | 22.5 | 50 | 36.126.0 |
| 6 | G1/8" | 9.9 | 14 | 15 | 23 | 50 | 36.127.0 |
| 6 | G1/4" | 13.3 | 18 | 17 | 24 | 50 | 36.128.0 |
| 8 | G1/8" | 9.9 | 14 | 15 | 24.5 | 50 | 36.129.0 |
| 8 | G1/4" | 13.3 | 18 | 17 | 26 | 50 | 36.130.0 |
| 8 | G3/8" | 16.6 | 21 | 20 | 28 | 50 | 36.131.0 |
| 10 | G1/4" | 13.3 | 18 | 17 | 27 | 50 | 36.132.0 |
| 10 | G3/8" | 16.6 | 21 | 20 | 29 | 25 | 36.133.0 |
| 12 | G3/8" | 16.6 | 21 | 20 | 30 | 25 | 36.135.0 |

raccordi automatici in ottone

push-in fittings фитинги цанговые быстроразъёмные

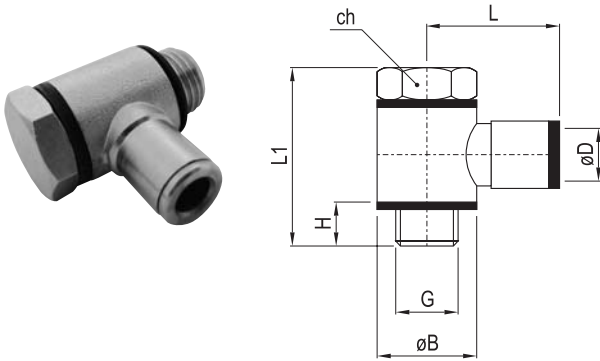


RP501

Asta con filetto maschio cilindrico assemblata con anello singolo

Complete single assembled banjo

Угловой фитинг с серьгой. Цилиндрическая резьба.



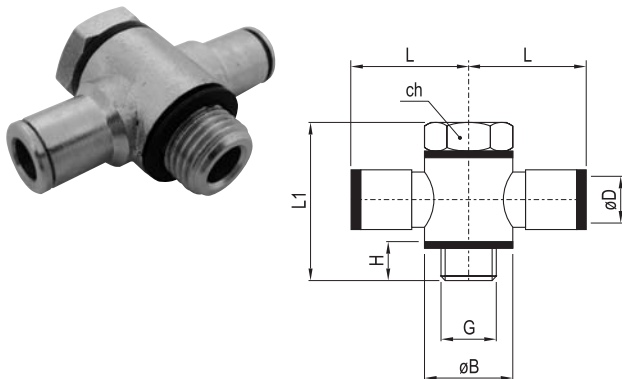
| tubo (øD) tube трубка | G | øB | H | L1 | L | ch | confez. package упак. | codice code код |
|-----------------------------|-------|----|-----|------|------|----|-----------------------------|-----------------------|
| 4 | M5 | 7 | 4.5 | 17.5 | 18.5 | 8 | 50 | 36.166.0 |
| 4 | G1/8" | 14 | 7.5 | 28 | 21 | 14 | 50 | 36.167.0 |
| 5 | M5 | 7 | 4.5 | 17.5 | 19.5 | 8 | 50 | 36.168.0 |
| 5 | G1/8" | 14 | 7.5 | 28 | 22.5 | 14 | 50 | 36.169.0 |
| 6 | G1/8" | 14 | 7.5 | 28 | 22.5 | 14 | 50 | 36.170.0 |
| 6 | G1/4" | 18 | 9 | 33 | 24 | 17 | 50 | 36.171.0 |
| 8 | G1/8" | 14 | 7.5 | 28 | 24.5 | 14 | 25 | 36.172.0 |
| 8 | G1/4" | 18 | 9 | 33 | 26 | 17 | 25 | 36.173.0 |
| 8 | G3/8" | 21 | 10 | 37 | 28 | 22 | 25 | 36.174.0 |
| 10 | G1/4" | 18 | 9 | 33 | 27 | 17 | 25 | 36.175.0 |
| 10 | G3/8" | 21 | 10 | 37 | 29 | 22 | 25 | 36.176.0 |
| 12 | G3/8" | 21 | 10 | 37 | 30 | 22 | 10 | 36.177.0 |

RP511

Asta con filetto maschio cilindrico assemblata con anello doppio

Complete double assembled banjo

T-образный фитинг с двойной серьгой. Цилиндрическая резьба.



| tubo (øD) tube трубка | G | øB | H | L1 | L | ch | confez. package упак. | codice code код |
|-----------------------------|-------|----|-----|------|------|----|-----------------------------|-----------------------|
| 4 | M5 | 7 | 4.5 | 17.5 | 18.5 | 8 | 50 | 36.178.0 |
| 4 | G1/8" | 14 | 7.5 | 28 | 21 | 14 | 50 | 36.179.0 |
| 5 | M5 | 7 | 4.5 | 17.5 | 19.5 | 8 | 50 | 36.180.0 |
| 5 | G1/8" | 14 | 7.5 | 28 | 22.5 | 14 | 50 | 36.181.0 |
| 6 | G1/8" | 14 | 7.5 | 28 | 22.5 | 14 | 50 | 36.182.0 |
| 6 | G1/4" | 18 | 9 | 33 | 24 | 17 | 50 | 36.183.0 |
| 8 | G1/8" | 14 | 7.5 | 28 | 24.5 | 14 | 25 | 36.184.0 |
| 8 | G1/4" | 18 | 9 | 33 | 26 | 17 | 25 | 36.185.0 |
| 8 | G3/8" | 21 | 10 | 37 | 28 | 22 | 25 | 36.186.0 |
| 10 | G1/4" | 18 | 9 | 33 | 27 | 17 | 25 | 36.187.0 |
| 10 | G3/8" | 21 | 10 | 37 | 29 | 22 | 25 | 36.188.0 |
| 12 | G3/8" | 21 | 10 | 37 | 30 | 22 | 10 | 36.189.0 |

raccordi automatici in ottone

push-in fittings фитинги цанговые быстроразъёмные



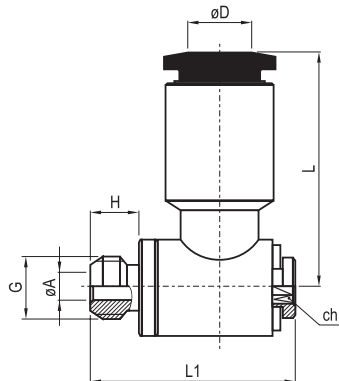
RP550

Raccordo orientabile banjo singolo

Complete swivel single banjo

Угловой поворотный фитинг с серьгой.

Цилиндрическая резьба.



| tubo (øD) tube трубка | G | øA | H | L1 | L | ch | confez. package упак. | codice code код |
|-----------------------------|-------|-----|---|------|------|----|-----------------------------|-----------------------|
| 4 | M5 | 2 | 4 | 17 | 18.5 | 2 | 50 | 36.137.0 |
| 4 | G1/8" | 5.5 | 6 | 25 | 21 | 3 | 50 | 36.138.0 |
| 5 | M5 | 2 | 4 | 17 | 19.5 | 2 | 50 | 36.139.0 |
| 5 | G1/8" | 5.5 | 6 | 25 | 22.5 | 3 | 50 | 36.140.0 |
| 6 | G1/8" | 5.5 | 6 | 25 | 23.5 | 3 | 50 | 36.141.0 |
| 6 | G1/4" | 7.8 | 8 | 29.3 | 24.5 | 4 | 50 | 36.142.0 |
| 8 | G1/8" | 5.5 | 6 | 25 | 24.5 | 3 | 50 | 36.143.0 |
| 8 | G1/4" | 7.8 | 8 | 29.3 | 26 | 4 | 50 | 36.144.0 |
| 8 | G3/8" | 10 | 9 | 34 | 29 | 5 | 25 | 36.145.0 |
| 10 | G1/4" | 7.8 | 8 | 29.3 | 27 | 4 | 25 | 36.146.0 |
| 10 | G3/8" | 10 | 9 | 34 | 29 | 5 | 25 | 36.147.0 |
| 12 | G1/4" | 7.8 | 8 | 29.3 | 28 | 4 | 25 | 36.148.0 |
| 12 | G3/8" | 10 | 9 | 34 | 29 | 5 | 25 | 36.149.0 |

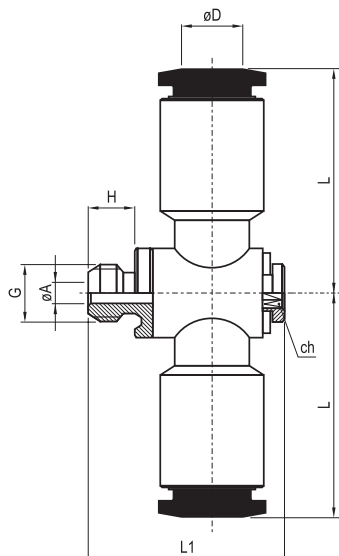
RP560

Raccordo orientabile banjo doppio

Complete swivel double banjo

Т-образный поворотный фитинг с двойной

серьгой. Цилиндрическая резьба.



| tubo (øD) tube трубка | G | øA | H | L1 | L | ch | confez. package упак. | codice code код |
|-----------------------------|-------|-----|---|------|------|----|-----------------------------|-----------------------|
| 4 | M5 | 2 | 4 | 17 | 18.5 | 2 | 50 | 36.152.0 |
| 4 | G1/8" | 5.5 | 6 | 25 | 21 | 3 | 50 | 36.153.0 |
| 5 | M5 | 2 | 4 | 17 | 19.5 | 2 | 50 | 36.154.0 |
| 5 | G1/8" | 5.5 | 6 | 25 | 22.5 | 3 | 50 | 36.155.0 |
| 6 | G1/8" | 5.5 | 6 | 25 | 23 | 3 | 50 | 36.156.0 |
| 6 | G1/4" | 7.8 | 8 | 29.3 | 24 | 4 | 50 | 36.157.0 |
| 8 | G1/8" | 5.5 | 6 | 25 | 24 | 3 | 50 | 36.158.0 |
| 8 | G1/4" | 7.8 | 8 | 29.3 | 26 | 4 | 50 | 36.159.0 |
| 8 | G3/8" | 10 | 9 | 34 | 28 | 5 | 25 | 36.160.0 |
| 10 | G1/4" | 7.8 | 8 | 29.3 | 27 | 4 | 25 | 36.161.0 |
| 10 | G3/8" | 10 | 9 | 34 | 29 | 5 | 25 | 36.162.0 |
| 12 | G3/8" | 10 | 9 | 34 | 29 | 5 | 25 | 36.164.0 |

raccordi automatici in ottone

push-in fittings фитинги цанговые быстроразъёмные

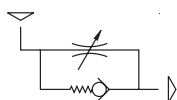
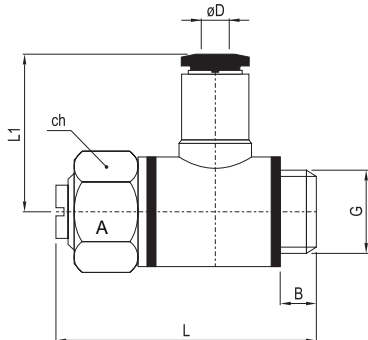


RG063

Raccordo a L con regolatore di flusso per valvola

L-fitting with flow regulator for valve

L-образный дроссель с обратным клапаном для распределителей



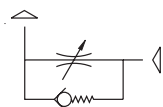
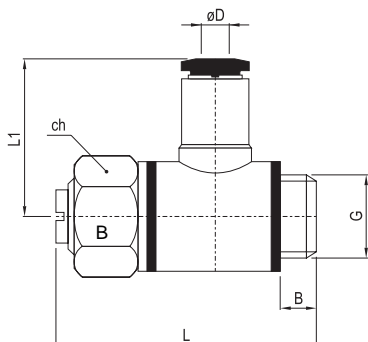
| tubo (øD) tube трубка | G | B | L1 | L | ch | confez. package упак. | codice code код |
|-----------------------------|-------|-----|------|------|----|-----------------------------|-----------------------|
| 4 | M5 | 6 | 17 | 24.5 | 8 | 50 | 36.661.0 |
| 4 | G1/8" | 5.5 | 21 | 31.5 | 14 | 50 | 36.190.0 |
| 5 | G1/8" | 5.5 | 22.5 | 31.5 | 14 | 50 | 36.191.0 |
| 6 | G1/8" | 5.5 | 22.5 | 31.5 | 14 | 50 | 36.192.0 |
| 6 | G1/4" | 6 | 24 | 38 | 17 | 50 | 36.193.0 |
| 8 | G1/8" | 5.5 | 24.5 | 31.5 | 14 | 25 | 36.194.0 |
| 8 | G1/4" | 6 | 26 | 38 | 17 | 25 | 36.195.0 |

RG053

Raccordo a L con regolatore di flusso per cilindro

L-fitting with flow regulator for cylinder

L-образный дроссель с обратным клапаном для цилиндров



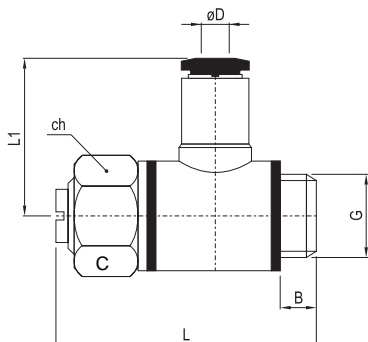
| tubo (øD) tube трубка | G | B | L1 | L | ch | confez. package упак. | codice code код |
|-----------------------------|-------|-----|------|------|----|-----------------------------|-----------------------|
| 4 | M5 | 6 | 17 | 24.5 | 8 | 50 | 36.662.0 |
| 4 | G1/8" | 5.5 | 21 | 31.5 | 14 | 50 | 36.196.0 |
| 5 | G1/8" | 5.5 | 22.5 | 31.5 | 14 | 50 | 36.197.0 |
| 6 | G1/8" | 5.5 | 22.5 | 31.5 | 14 | 50 | 36.198.0 |
| 6 | G1/4" | 6 | 24 | 38 | 17 | 50 | 36.199.0 |
| 8 | G1/8" | 5.5 | 24.5 | 31.5 | 14 | 25 | 36.200.0 |
| 8 | G1/4" | 6 | 26 | 38 | 17 | 25 | 36.201.0 |

RG073

Raccordo a L con regolatore di flusso bidirezionale

L-fitting with bidirectional flow regulator

L-образный двухсторонний дроссель



| tubo (øD) tube трубка | G | B | L1 | L | ch | confez. package упак. | codice code код |
|-----------------------------|-------|-----|------|------|----|-----------------------------|-----------------------|
| 4 | M5 | 6 | 17 | 24.5 | 8 | 50 | 36.663.0 |
| 4 | G1/8" | 5.5 | 21 | 31.5 | 14 | 50 | 36.202.0 |
| 5 | G1/8" | 5.5 | 22.5 | 31.5 | 14 | 50 | 36.203.0 |
| 6 | G1/8" | 5.5 | 22.5 | 31.5 | 14 | 50 | 36.204.0 |
| 6 | G1/4" | 6 | 24 | 38 | 17 | 50 | 36.205.0 |
| 8 | G1/8" | 5.5 | 24.5 | 31.5 | 14 | 25 | 36.206.0 |
| 8 | G1/4" | 6 | 26 | 38 | 17 | 25 | 36.207.0 |

dati tecnici raccordi automatici INOX

technical data

технические данные



INOX

| diametro esterno tubo <i>external diameter of tube</i> наружный диам. трубки | diametro interno tubo <i>internal diameter of tube</i> внутренний диам. трубки | pressione di esercizio [bar] dei raccordi con tubi per aria <i>working pressure [bar] with hoses for air</i> рабочее давление [bar] с трубками для воздуха | | |
|------------------------------------------------------------------------------------|--------------------------------------------------------------------------------------|------------------------------------------------------------------------------------------------------------------------------------------------------------------|---------------|----------------|
| | | -20 ... +30°C | +31 ... +70°C | +71 ... +130°C |
| 4 mm | 2 mm | 16 | 10 | 6 |
| 5 mm | 3 mm | 16 | 10 | 6 |
| 6 mm | 4 mm | 16 | 10 | 6 |
| 8 mm | 6 mm | 14 | 10 | 6 |
| 10 mm | 8 mm | 14 | 10 | 6 |
| 12 mm | 10 mm | 14 | 10 | 6 |
| 14 mm | 12 mm | 12 | 10 | 6 |

| tolleranze ammesse per i tubi PA11 e PA12 <i>tolerances for hoses PA11 and PA12</i> допускаемое отклонение для трубок PA11 и PA12 | |
|-----------------------------------------------------------------------------------------------------------------------------------------|----------------------------------------------|
| diametro esterno tubo <i>external diameter of tube</i> наружный диам. трубки | tolleranza <i>tolerance</i> отклонение |
| 4 ... 8 mm | -0.05 ... +0.05 |
| 10 ... 14 mm | -0.1 ... +0.1 |

| tolleranze ammesse per i tubi in poliuretano (PU) <i>tolerances for polyurethane (PU) hoses</i> допускаемое отклонение для полиуретановых трубок (PU) | |
|-------------------------------------------------------------------------------------------------------------------------------------------------------------|----------------------------------------------|
| diametro esterno tubo <i>external diameter of tube</i> наружный диам. трубки | tolleranza <i>tolerance</i> отклонение |
| 4 ... 8 mm | -0.05 ... +0.05 |
| 10 ... 14 mm | -0.1 ... +0.1 |

Materiali

Corpo: acciaio INOX AISI 316L

Pinza: acciaio INOX AISI 301

Guarnizioni: VITON

Materials

Body: stainless steel INOX AISI 316L

Clamp: stainless steel INOX AISI 301

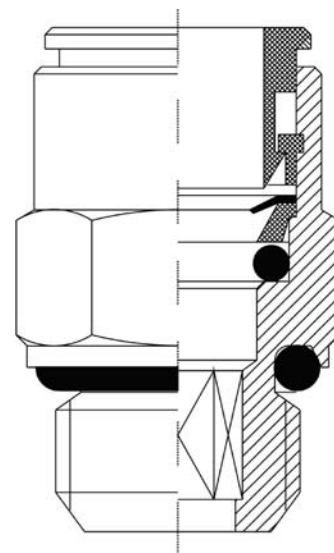
Seals: VITON

Материалы

Корпус: нержавеющая сталь INOX AISI 316L

Цанга: нержавеющая сталь INOX AISI 301

Уплотнения: резина VITON



| | |
|-----------------------------------------------------------------------------|---------------------------------------------------------------------------------------------------------------------------------------------|
| Temperatura di esercizio <i>Temperature range</i> Рабочая температура | -20 ... +130°C |
| Fluido <i>Fluid</i> Рабочая среда | Aria filtrata con o senza lubrificazione <i>filtered, lubricated or non lubricated air</i> очищенный сжатый воздух со смазкой или без |

raccordi automatici INOX

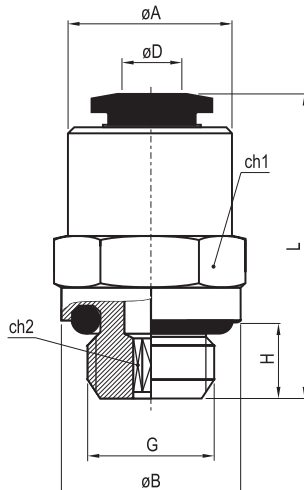
stainless steel push-in fittings фитинги из нержавеющей стали



INOX

RX020

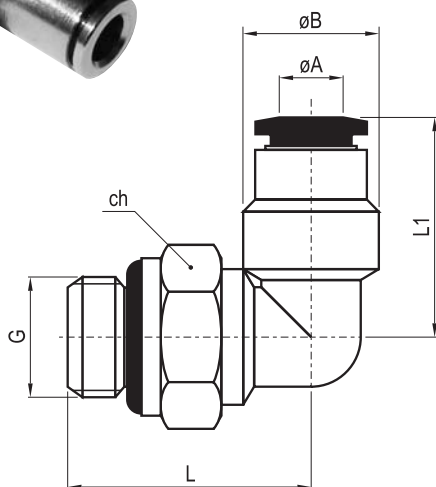
Raccordo diretto maschio cilindrico
Straight male fitting, with cylindric thread
Фитинг прямой с цилиндрической резьбой и уплотнительным кольцом



| tubo (øD) tube трубка | G | øA | øB | H | L | ch1 | ch2 | confez. package упак. | codice code код |
|-----------------------------|-------|----|----|---|----|-----|-----|-----------------------------|-----------------------|
| 4 | M5 | 9 | 8 | 4 | 20 | 9 | - | 10 | 36.1318.0 |
| 4 | G1/8" | 9 | 13 | 6 | 17 | 13 | 5 | 10 | 36.1319.0 |
| 6 | G1/8" | 11 | 13 | 6 | 23 | 13 | 4 | 10 | 36.1320.0 |
| 6 | G1/4" | 11 | 16 | 8 | 21 | 16 | 4 | 10 | 36.1321.0 |
| 8 | G1/8" | 13 | 13 | 6 | 26 | 13 | 6 | 10 | 36.1322.0 |
| 8 | G1/4" | 13 | 16 | 8 | 25 | 16 | 6 | 10 | 36.1323.0 |

RX115

Raccordo a L orientabile maschio cilindrico
Swivel L-fitting with cylindric thread
Поворотный L-образный фитинг с цилиндрической резьбой и уплотнительным кольцом



| tubo (øA) tube трубка | G | øB | L1 | L | ch | confez. package упак. | codice code код |
|-----------------------------|-------|----|----|------|----|-----------------------------|-----------------------|
| 4 | M5 | 9 | 17 | 14.5 | 9 | 10 | 36.1324.0 |
| 4 | G1/8" | 9 | 17 | 20 | 13 | 10 | 36.1325.0 |
| 6 | G1/8" | 11 | 21 | 20 | 13 | 10 | 36.1326.0 |
| 6 | G1/4" | 11 | 21 | 21 | 16 | 10 | 36.1327.0 |
| 8 | G1/8" | 13 | 24 | 20 | 13 | 10 | 36.1328.0 |
| 8 | G1/4" | 13 | 24 | 21 | 16 | 10 | 36.1329.0 |

raccordi automatici INOX

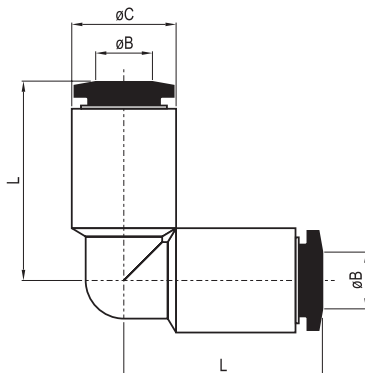
stainless steel push-in fittings фитинги из нержавеющей стали



INOX

RX130

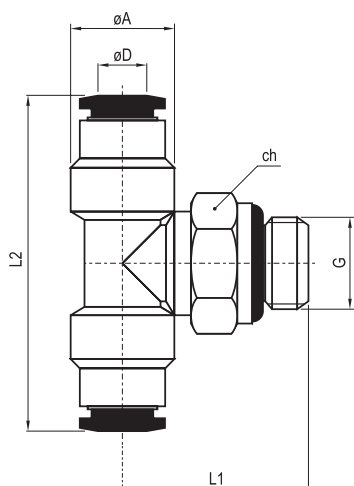
Raccordo a L intermedio
Intermediate elbow connector
L-образный фитинг-соединитель



| tubo (øB) tube трубка | øC | L | confez. package упак. | codice code код |
|-----------------------------|----|----|-----------------------------|-----------------------|
| 4 | 9 | 17 | 10 | 36.1341.0 |
| 6 | 9 | 20 | 10 | 36.1342.0 |
| 8 | 12 | 21 | 10 | 36.1343.0 |
| 10 | 12 | 25 | 10 | 36.1344.0 |
| 12 | 14 | 27 | 10 | 36.1345.0 |

RX215

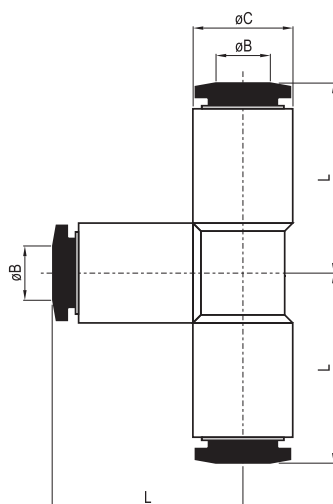
Raccordo a T orientabile maschio cilindrico
Swivel T-fitting, cylindric thread on the central leg
Поворотный T-образный фитинг с цилиндрической резьбой и уплотнительным кольцом



| tubo (øD) tube трубка | G | øA | L1 | L2 | ch | confez. package упак. | codice code код |
|-----------------------------|-------|----|----|----|----|-----------------------------|-----------------------|
| 4 | M5 | 9 | 18 | 34 | 9 | 10 | 36.1330.0 |
| 4 | G1/8" | 9 | 20 | 34 | 13 | 10 | 36.1331.0 |
| 6 | G1/8" | 11 | 20 | 39 | 13 | 10 | 36.1332.0 |
| 6 | G1/4" | 11 | 21 | 39 | 16 | 10 | 36.1333.0 |
| 8 | G1/8" | 13 | 20 | 46 | 13 | 10 | 36.1334.0 |
| 8 | G1/4" | 13 | 21 | 46 | 16 | 10 | 36.1335.0 |

RX230

Raccordo a T intermedio
T-connector
T-образный фитинг-соединитель



| tubo (øB) tube трубка | øC | L | confez. package упак. | codice code код |
|-----------------------------|----|------|-----------------------------|-----------------------|
| 4 | 9 | 17 | 10 | 36.1346.0 |
| 6 | 11 | 19.5 | 10 | 36.1347.0 |
| 8 | 13 | 23 | 10 | 36.1348.0 |
| 10 | 15 | 25 | 10 | 36.1349.0 |
| 12 | 18 | 27 | 10 | 36.1350.0 |

raccordi automatici INOX

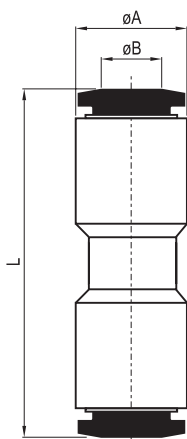
stainless steel push-in fittings фитинги из нержавеющей стали



INOX

RX040

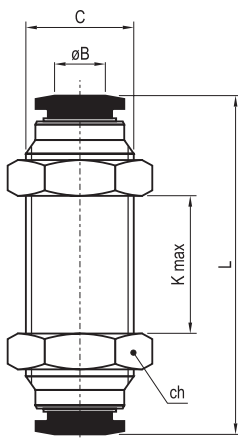
Raccordo diretto intermedio
Intermediate straight connector
Фитинг-соединитель прямой



| tubo (øB) tube трубка | øA | L | confez. package упак. | codice code код |
|-----------------------------|----|------|-----------------------------|-----------------------|
| 4 | 9 | 30 | 10 | 36.1336.0 |
| 6 | 11 | 31.5 | 10 | 36.1337.0 |
| 8 | 13 | 36 | 10 | 36.1338.0 |
| 10 | 15 | 37 | 10 | 36.1339.0 |
| 12 | 17 | 40.5 | 10 | 36.1340.0 |

RX050

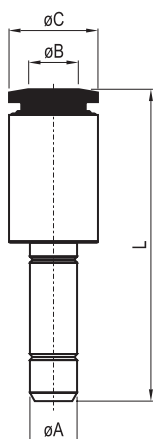
Raccordo diretto intermedio passaparte
Intermediate straight connector for panel mounting
Фитинг-соединитель прямой с монтажной резьбой на корпусе и гайками



| tubo (øB) tube трубка | C | L | K max | ch | confez. package упак. | codice code код |
|-----------------------------|-------|------|-------|----|-----------------------------|-----------------------|
| 4 | M12x1 | 27 | 11 | 15 | 10 | 36.1351.0 |
| 6 | M14x1 | 32.5 | 16 | 17 | 10 | 36.1352.0 |
| 8 | M16x1 | 33 | 17 | 19 | 10 | 36.1353.0 |
| 10 | M18x1 | 37.5 | 19 | 21 | 10 | 36.1354.0 |
| 12 | M20x1 | 39.5 | 20 | 24 | 10 | 36.1355.0 |

RX700

Riduzione
Reducer
Редуктор



| øA | tubo (øB) tube трубка | øC | L | confez. package упак. | codice code код |
|----|-----------------------------|----|------|-----------------------------|-----------------------|
| 6 | 4 | 9 | 31 | 10 | 36.1356.0 |
| 8 | 6 | 12 | 33 | 10 | 36.1357.0 |
| 10 | 8 | 14 | 34.5 | 10 | 36.1358.0 |

raccordi automatici INOX

stainless steel push-in fittings фитинги из нержавеющей стали

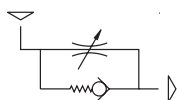
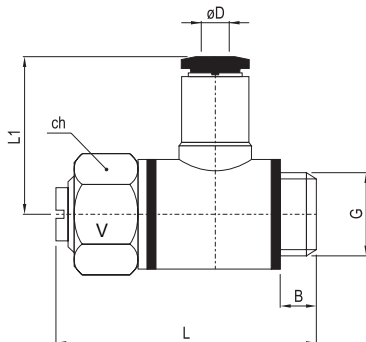


INOX

RGX063

Raccordo a L con regolatore di flusso per valvola
L-fitting with flow regulator for valve
 L-образный дроссель с обратным клапаном для распределителей

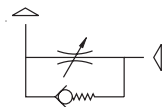
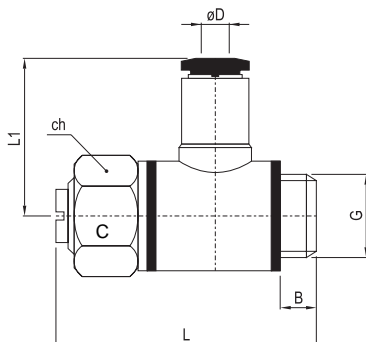
| tubo (øD) tube трубка | G | B | L1 | L | ch | confez. package упак. | codice code код |
|-----------------------------|-------|-----|------|----|----|-----------------------------|-----------------------|
| 4 | G1/8" | 5.5 | 19.5 | 36 | 14 | 10 | 36.1359.0 |
| 6 | G1/8" | 5.5 | 21.5 | 36 | 14 | 10 | 36.1360.0 |
| 6 | G1/4" | 6.5 | 23.5 | 42 | 17 | 10 | 36.1361.0 |
| 8 | G1/8" | 5.5 | 23.5 | 36 | 14 | 10 | 36.1362.0 |
| 8 | G1/4" | 6.5 | 24 | 42 | 17 | 10 | 36.1363.0 |



RGX053

Raccordo a L con regolatore di flusso per cilindro
L-fitting with flow regulator for cylinder
 L-образный дроссель с обратным клапаном для цилиндров

| tubo (øD) tube трубка | G | B | L1 | L | ch | confez. package упак. | codice code код |
|-----------------------------|-------|-----|------|----|----|-----------------------------|-----------------------|
| 4 | G1/8" | 5.5 | 19.5 | 36 | 14 | 10 | 36.1364.0 |
| 6 | G1/8" | 5.5 | 21.5 | 36 | 14 | 10 | 36.1365.0 |
| 6 | G1/4" | 6.5 | 23.5 | 42 | 17 | 10 | 36.1366.0 |
| 8 | G1/8" | 5.5 | 23.5 | 36 | 14 | 10 | 36.1367.0 |
| 8 | G1/4" | 6.5 | 24 | 42 | 17 | 10 | 36.1368.0 |



dati tecnici raccordi automatici in polimero

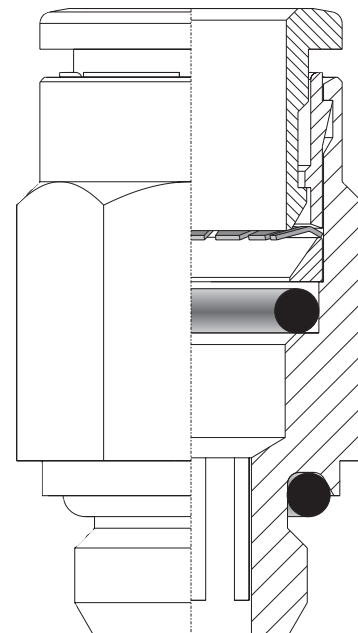
technical data

технические данные



| tolleranze ammesse per i tubi PA11 e PA12 <i>tolerances for hoses PA11 and PA12</i> допускаемое отклонение для трубок PA11 и PA12 | |
|------------------------------------------------------------------------------------------------------------------------------------------------|----------------------------------------------|
| diametro esterno tubo <i>external diameter of tube</i> наружный диам. трубки | tolleranza <i>tolerance</i> отклонение |
| 4 ... 8 mm | -0.08 ... +0.05 |
| 10 ... 16 mm | -0.1 ... +0.05 |

| tolleranze ammesse per i tubi in poliuretano (PU) <i>tolerances for polyurethane (PU) hoses</i> допускаемое отклонение для полиуретановых трубок (PU) | |
|--------------------------------------------------------------------------------------------------------------------------------------------------------------------|----------------------------------------------|
| diametro esterno tubo <i>external diameter of tube</i> наружный диам. трубки | tolleranza <i>tolerance</i> отклонение |
| 4 ... 16 mm | -0.02 ... +0.02 |



Materiali

Corpo: polibutilene (PBT), ottone nichelato

Pinza: acciaio

Guarnizioni: NBR

Materials

Body: polybutylene (PBT), nicked brass

Clamp: steel

Seals: NBR

Материалы

Корпус: полибутилен (PBT), никелированная латунь

Цанга: сталь

Уплотнения: резина NBR

| | |
|-----------------------------------------------------------------------------|---------------------------------------------------------------------------------------------------------------------------------------------|
| Temperatura di esercizio <i>Temperature range</i> Рабочая температура | 0 ... +60°C |
| Pressione di esercizio <i>Pressure range</i> Рабочее давление | max 10 bar |
| Fluido <i>Fluid</i> Рабочая среда | Aria filtrata con o senza lubrificazione <i>filtered, lubricated or non lubricated air</i> очищенный сжатый воздух со смазкой или без |

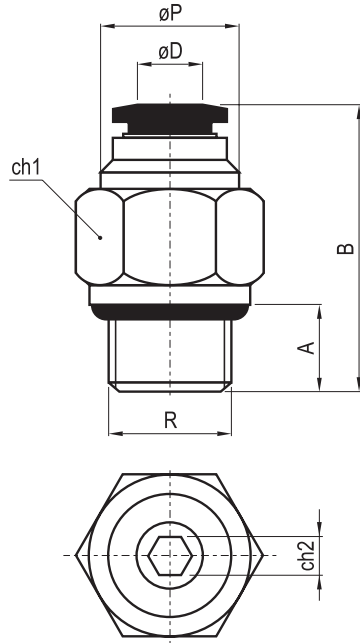
raccordi automatici in polimero

push-in fittings фитинги цанговые быстроразъёмные



AZC-G

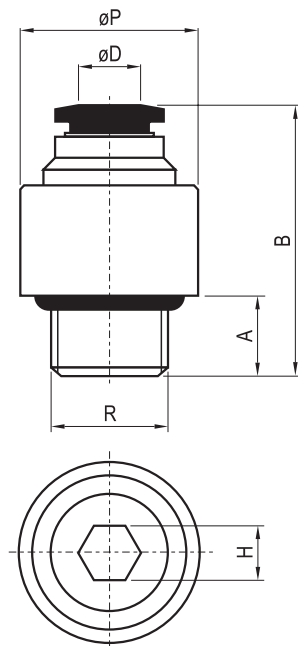
Raccordo diretto maschio cilindrico
Straight male fitting, with cylindric thread
Фитинг прямой с цилиндрической резьбой и уплотнительным кольцом



| tubo (ϕD) tube трубка | R | ϕP | B | A | ch1 | ch2 | confez. package упак. | codice code код |
|-------------------------------------|-------|----------|------|-----|-----|-----|-----------------------------|-----------------------|
| 4 | M5 | 10 | 19.6 | 4 | 10 | 2 | 10 | 36.800.0 |
| 4 | G1/8" | 10 | 19.4 | 5.5 | 14 | 3 | 10 | 36.801.0 |
| 4 | G1/4" | 10 | 20.1 | 7 | 17 | 3 | 10 | 36.802.0 |
| 6 | M5 | 12 | 20 | 4 | 12 | 2 | 10 | 36.803.0 |
| 6 | G1/8" | 12 | 19.5 | 5.5 | 14 | 4 | 10 | 36.804.0 |
| 6 | G1/4" | 12 | 21.8 | 7 | 17 | 4 | 10 | 36.805.0 |
| 6 | G3/8" | 12 | 19.3 | 7.5 | 20 | 4 | 10 | 36.806.0 |
| 8 | G1/8" | 14 | 25 | 5.5 | 14 | 5 | 10 | 36.807.0 |
| 8 | G1/4" | 14 | 23.5 | 7 | 17 | 6 | 10 | 36.808.0 |
| 8 | G3/8" | 14 | 20.5 | 7.5 | 20 | 6 | 10 | 36.809.0 |
| 8 | G1/2" | 14 | 24 | 10 | 24 | 6 | 10 | 36.810.0 |
| 10 | G1/8" | 17 | 28.5 | 5.5 | 14 | 5 | 10 | 36.811.0 |
| 10 | G1/4" | 17 | 30 | 7 | 17 | 6 | 10 | 36.812.0 |
| 10 | G3/8" | 17 | 27 | 7.5 | 20 | 8 | 10 | 36.813.0 |
| 10 | G1/2" | 17 | 30 | 10 | 24 | 8 | 10 | 36.814.0 |
| 12 | G1/4" | 20 | 32 | 7 | 17 | 6 | 10 | 36.815.0 |
| 12 | G3/8" | 20 | 28 | 7.5 | 20 | 8 | 10 | 36.816.0 |
| 12 | G1/2" | 20 | 30.5 | 10 | 24 | 8 | 5 | 36.817.0 |
| 16 | G1/4" | 25 | 34.2 | 7 | 24 | 8 | 5 | 36.818.0 |
| 16 | G3/8" | 25 | 35 | 7.5 | 24 | 8 | 5 | 36.819.0 |
| 16 | G1/2" | 25 | 38 | 10 | 24 | 10 | 5 | 36.820.0 |

AZOC-G

Raccordo diretto maschio cilindrico con esagono per chiave incassato
Straight male fitting, with cylindric thread and internal key hexagon
Фитинг прямой с цилиндрической резьбой и внутренним шестиугольником для ключа



| tubo (ϕD) tube трубка | ϕR | ϕP | B | A | H | confez. package упак. | codice code код |
|-------------------------------------|----------|----------|------|-----|---|-----------------------------|-----------------------|
| 4 | M5 | 10 | 19.6 | 4 | 2 | 10 | 36.1130.0 |
| 4 | G1/8" | 14 | 19.4 | 5.5 | 3 | 10 | 36.1131.0 |
| 4 | G1/4" | 17 | 20.1 | 7 | 3 | 10 | 36.1132.0 |
| 6 | M5 | 12 | 20 | 4 | 2 | 10 | 36.1133.0 |
| 6 | G1/8" | 14 | 20 | 5.5 | 4 | 10 | 36.1134.0 |
| 6 | G1/4" | 17 | 22.3 | 7 | 4 | 10 | 36.1135.0 |
| 6 | G3/8" | 20 | 19.3 | 7.5 | 4 | 5 | 36.1136.0 |
| 8 | G1/8" | 14 | 25 | 5.5 | 4 | 10 | 36.1137.0 |
| 8 | G1/4" | 17 | 23.5 | 7 | 6 | 10 | 36.1138.0 |
| 8 | G3/8" | 20 | 20.5 | 7.5 | 6 | 5 | 36.1139.0 |
| 8 | G1/2" | 24 | 24 | 10 | 6 | 5 | 36.1140.0 |
| 10 | G1/8" | 17 | 28.5 | 5.5 | 5 | 10 | 36.1141.0 |
| 10 | G1/4" | 17 | 30 | 7 | 6 | 10 | 36.1142.0 |
| 10 | G3/8" | 20 | 27 | 7.5 | 8 | 5 | 36.1143.0 |
| 10 | G1/2" | 24 | 30 | 10 | 8 | 5 | 36.1144.0 |
| 12 | G1/4" | 20 | 32.5 | 7 | 6 | 5 | 36.1145.0 |
| 12 | G3/8" | 20 | 28.5 | 7.5 | 8 | 5 | 36.1146.0 |
| 12 | G1/2" | 24 | 31 | 10 | 8 | 5 | 36.1147.0 |

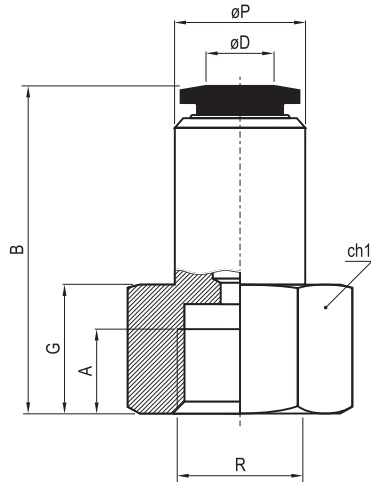
raccordi automatici in polimero

push-in fittings фитинги цанговые быстроразъёмные



AZCF-G

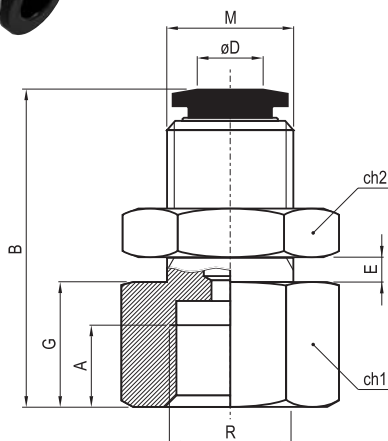
Raccordo diritto femmina
Straight female fitting
Фитинг прямой с внутренней
цилиндрической резьбой



| tubo (øD) tube трубка | R | øP | B | G | A | ch1 | confez. package упак. | codice code код |
|-----------------------------|-------|----|------|------|-----|-----|-----------------------------|-----------------------|
| 4 | G1/8" | 10 | 24 | 10 | 8.5 | 14 | 10 | 36.944.0 |
| 4 | G1/4" | 10 | 27.5 | 12.5 | 11 | 17 | 10 | 36.945.0 |
| 6 | G1/8" | 12 | 24.5 | 10.5 | 8.5 | 14 | 10 | 36.946.0 |
| 6 | G1/4" | 12 | 27 | 13 | 11 | 17 | 10 | 36.947.0 |
| 6 | G3/8" | 12 | 28 | 14 | 12 | 21 | 10 | 36.948.0 |
| 8 | G1/8" | 14 | 26 | 10.5 | 8.5 | 14 | 10 | 36.949.0 |
| 8 | G1/4" | 14 | 28.5 | 13 | 11 | 17 | 10 | 36.950.0 |
| 8 | G3/8" | 14 | 29.5 | 14 | 12 | 21 | 10 | 36.951.0 |
| 8 | G1/2" | 14 | 31.5 | 16 | 14 | 24 | 10 | 36.952.0 |
| 10 | G1/8" | 17 | 29 | 10.5 | 8.5 | 17 | 10 | 36.953.0 |
| 10 | G1/4" | 17 | 32 | 13 | 11 | 17 | 10 | 36.954.0 |
| 10 | G3/8" | 17 | 33 | 14 | 12 | 21 | 10 | 36.955.0 |
| 10 | G1/2" | 17 | 35 | 16 | 14 | 24 | 10 | 36.956.0 |
| 12 | G1/4" | 20 | 33.5 | 13 | 11 | 21 | 10 | 36.957.0 |
| 12 | G3/8" | 20 | 34.5 | 14 | 12 | 21 | 10 | 36.958.0 |
| 12 | G1/2" | 20 | 36.5 | 16 | 14 | 24 | 5 | 36.959.0 |

AZMF-G

Raccordo diritto femmina passaparte
Straight female fitting with external thread
for panel mounting
Фитинг прямой с гайкой для монтажной
панели и с внутренней цилиндрической
резьбой



| tubo (øD) tube трубка | R | B | G | A | E max | ch1 | ch2 | M | confez. package упак. | codice code код |
|-----------------------------|-------|------|------|-----|----------|-----|-----|-------|-----------------------------|-----------------------|
| 4 | G1/8" | 24 | 10 | 8.5 | 5 | 14 | 14 | M12x1 | 10 | 36.842.0 |
| 4 | G1/4" | 26.5 | 12 | 11 | 5 | 17 | 14 | M12x1 | 10 | 36.843.0 |
| 6 | G1/8" | 24.5 | 10.5 | 8.5 | 6 | 14 | 17 | M14x1 | 10 | 36.844.0 |
| 6 | G1/4" | 27 | 13 | 11 | 6 | 17 | 17 | M14x1 | 10 | 36.845.0 |
| 6 | G3/8" | 28 | 14 | 12 | 6 | 21 | 17 | M14x1 | 10 | 36.846.0 |
| 8 | G1/8" | 26 | 10.5 | 8.5 | 7 | 17 | 19 | M16x1 | 10 | 36.847.0 |
| 8 | G1/4" | 28.5 | 13 | 11 | 7 | 17 | 19 | M16x1 | 10 | 36.848.0 |
| 8 | G3/8" | 29.5 | 14 | 12 | 7 | 21 | 19 | M16x1 | 10 | 36.849.0 |
| 8 | G1/2" | 34 | 16 | 14 | 7 | 24 | 19 | M16x1 | 10 | 36.850.0 |
| 10 | G1/8" | 30 | 10.5 | 8.5 | 8 | 21 | 24 | M20x1 | 10 | 36.851.0 |
| 10 | G1/4" | 32.5 | 13 | 11 | 8 | 21 | 24 | M20x1 | 10 | 36.852.0 |
| 10 | G3/8" | 33.5 | 14 | 12 | 8 | 21 | 24 | M20x1 | 10 | 36.853.0 |
| 10 | G1/2" | 37.2 | 16 | 14 | 8 | 24 | 24 | M20x1 | 5 | 36.854.0 |
| 12 | G1/4" | 33.5 | 13 | 11 | 10 | 24 | 27 | M22x1 | 5 | 36.855.0 |
| 12 | G3/8" | 34.5 | 14 | 12 | 10 | 24 | 27 | M22x1 | 5 | 36.856.0 |
| 12 | G1/2" | 37 | 16 | 14 | 10 | 24 | 27 | M22x1 | 5 | 36.857.0 |

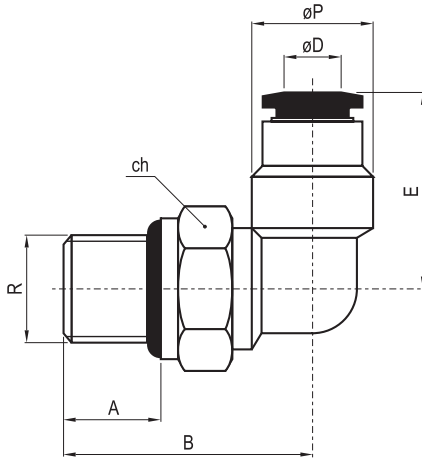
raccordi automatici in polimero

push-in fittings фитинги цанговые быстроразъёмные



AZL-G

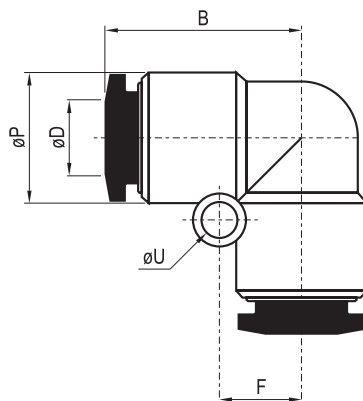
Raccordo a L orientabile maschio cilindrico
Swivel L-fitting with cylindrical thread
Поворотный L-образный фитинг с цилиндрической резьбой и уплотнительным кольцом



| tubo (øD) tube трубка | R | øP | B | E | A | ch | confez. package упак. | codice code код |
|-----------------------------|-------|------|------|------|-----|----|-----------------------------|-----------------------|
| 4 | M5 | 11 | 19.3 | 18.2 | 4 | 10 | 10 | 36.750.0 |
| 4 | G1/8" | 11 | 19.1 | 18.2 | 5.5 | 14 | 10 | 36.751.0 |
| 4 | G1/4" | 11 | 19.3 | 18.2 | 7 | 17 | 10 | 36.752.0 |
| 6 | M5 | 13 | 20.3 | 18.7 | 4 | 10 | 10 | 36.753.0 |
| 6 | G1/8" | 13 | 20.1 | 18.7 | 5.5 | 14 | 10 | 36.754.0 |
| 6 | G1/4" | 13 | 20.3 | 18.7 | 7 | 17 | 10 | 36.755.0 |
| 6 | G3/8" | 13 | 21.3 | 18.7 | 7.5 | 20 | 10 | 36.756.0 |
| 8 | G1/8" | 14.4 | 20.8 | 22.2 | 5.5 | 14 | 10 | 36.757.0 |
| 8 | G1/4" | 14.4 | 21 | 22.2 | 7 | 17 | 10 | 36.758.0 |
| 8 | G3/8" | 14.4 | 22 | 22.2 | 7.5 | 20 | 10 | 36.759.0 |
| 8 | G1/2" | 14.4 | 25 | 22.2 | 10 | 24 | 10 | 36.760.0 |
| 10 | G1/8" | 18.4 | 25.5 | 26.2 | 5.5 | 14 | 10 | 36.761.0 |
| 10 | G1/4" | 18.4 | 24.9 | 26.2 | 7 | 17 | 10 | 36.762.0 |
| 10 | G3/8" | 18.4 | 24.1 | 26.2 | 7.5 | 20 | 10 | 36.763.0 |
| 10 | G1/2" | 18.4 | 27 | 26.2 | 10 | 24 | 5 | 36.764.0 |
| 12 | G1/4" | 21 | 26.2 | 29.5 | 7 | 17 | 10 | 36.765.0 |
| 12 | G3/8" | 21 | 25.4 | 29.5 | 7.5 | 20 | 10 | 36.766.0 |
| 12 | G1/2" | 21 | 28.3 | 29.5 | 10 | 24 | 5 | 36.767.0 |
| 16 | G1/4" | 26 | 38.5 | 32.5 | 7 | 24 | 5 | 36.768.0 |
| 16 | G3/8" | 26 | 39.5 | 32.5 | 7.5 | 24 | 5 | 36.769.0 |
| 16 | G1/2" | 26 | 42 | 32.5 | 10 | 24 | 5 | 36.770.0 |

AZUL

Raccordo a L intermedio
Intermediate elbow connector
L-образный фитинг-соединитель



| tubo (øD) tube трубка | øP | F | øU | B | confez. package упак. | codice code код |
|-----------------------------|------|------|-----|------|-----------------------------|-----------------------|
| 4 | 11 | 7 | 3.2 | 18.5 | 10 | 36.970.0 |
| 6 | 13 | 8 | 3.2 | 18.7 | 10 | 36.971.0 |
| 8 | 14.4 | 10 | 3.2 | 22.7 | 10 | 36.972.0 |
| 10 | 18.4 | 12 | 4.2 | 27.7 | 10 | 36.973.0 |
| 12 | 21 | 13.5 | 4.2 | 29.5 | 5 | 36.974.0 |
| 16 | 26 | 15.5 | 5.2 | 32.5 | 5 | 36.975.0 |

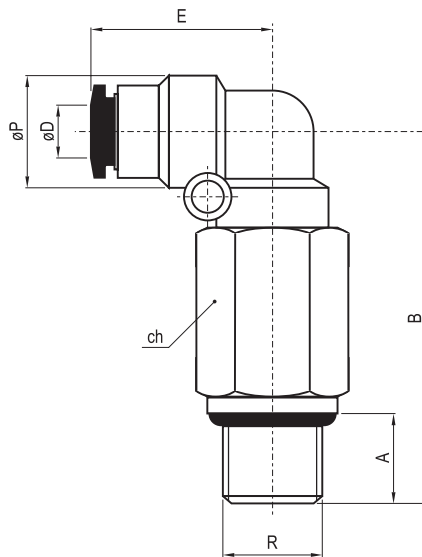
raccordi automatici in polimero

push-in fittings фитинги цанговые быстроразъёмные



AZLL-G

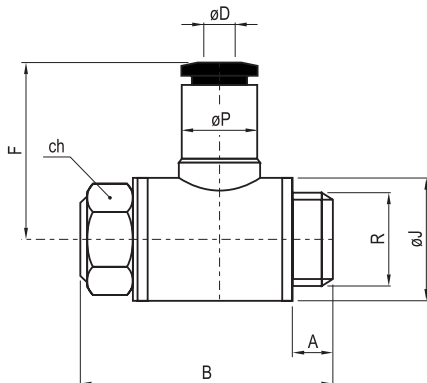
Raccordo a L orientabile lungo, maschio cilindrico
 Long swivel L-fitting with cylindrical thread
 Длинный поворотный L-образный фитинг с цилиндрической резьбой и уплотнительным кольцом



| tubo (øD) tube трубка | R | øP | B | E | A | ch | confez. package упак. | codice code код |
|-----------------------------|-------|------|------|------|-----|----|-----------------------------|-----------------------|
| 4 | M5 | 11 | 34 | 18.2 | 3.5 | 10 | 10 | 36.771.0 |
| 4 | G1/8" | 11 | 35.8 | 18.2 | 5.5 | 14 | 10 | 36.772.0 |
| 4 | G1/4" | 11 | 37.8 | 18.2 | 7 | 17 | 10 | 36.773.0 |
| 6 | M5 | 13 | 35 | 18.7 | 4.2 | 12 | 10 | 36.774.0 |
| 6 | G1/8" | 13 | 38.1 | 18.7 | 5.5 | 14 | 10 | 36.775.0 |
| 6 | G1/4" | 13 | 40.1 | 18.7 | 7 | 17 | 10 | 36.776.0 |
| 6 | G3/8" | 13 | 42.2 | 18.7 | 7.5 | 20 | 10 | 36.777.0 |
| 8 | G1/8" | 14.4 | 43.3 | 22.2 | 5.5 | 14 | 10 | 36.778.0 |
| 8 | G1/4" | 14.4 | 45.3 | 22.2 | 7 | 17 | 10 | 36.779.0 |
| 8 | G3/8" | 14.4 | 46.3 | 22.2 | 7.5 | 20 | 5 | 36.780.0 |
| 8 | G1/2" | 14.4 | 49.3 | 22.2 | 10 | 24 | 5 | 36.781.0 |
| 10 | G1/8" | 18.4 | 53 | 26.2 | 5.5 | 17 | 5 | 36.782.0 |
| 10 | G1/4" | 18.4 | 53 | 26.2 | 7 | 17 | 5 | 36.783.0 |
| 10 | G3/8" | 18.4 | 54 | 26.2 | 7.5 | 20 | 5 | 36.784.0 |
| 10 | G1/2" | 18.4 | 57 | 26.2 | 10 | 24 | 5 | 36.785.0 |
| 12 | G1/4" | 21 | 60 | 29.5 | 7 | 21 | 2 | 36.786.0 |
| 12 | G3/8" | 21 | 60 | 29.5 | 7.5 | 21 | 2 | 36.787.0 |
| 12 | G1/2" | 21 | 61.3 | 29.5 | 10 | 24 | 2 | 36.788.0 |
| 16 | G1/4" | 26 | 63 | 32.5 | 7 | 24 | 2 | 36.789.0 |
| 16 | G3/8" | 26 | 64 | 32.5 | 7.5 | 24 | 2 | 36.790.0 |
| 16 | G1/2" | 26 | 66.5 | 32.5 | 10 | 24 | 2 | 36.791.0 |

AZH-G

Asta con filetto maschio cilindrico assemblata con anello singolo
 Complete single assembled banjo
 Угловой фитинг с серьгой. Цилиндрическая резьба.



| tubo (øD) tube трубка | R | øP | øJ | B | A | ch | F | confez. package упак. | codice code код |
|-----------------------------|-------|------|------|------|------|----|------|-----------------------------|-----------------------|
| 4 | M5 | 11 | 10 | 17 | 4 | 8 | 20 | 10 | 36.1048.0 |
| 4 | G1/8" | 11 | 14.2 | 23.5 | 5 | 12 | 21.5 | 10 | 36.1049.0 |
| 4 | G1/4" | 11 | 18.2 | 28.5 | 8 | 14 | 23.7 | 10 | 36.1050.0 |
| 6 | M5 | 13 | 10 | 17 | 4 | 8 | 20 | 10 | 36.1051.0 |
| 6 | G1/8" | 13 | 14.2 | 23.5 | 5 | 12 | 22.5 | 10 | 36.1052.0 |
| 6 | G1/4" | 13 | 18.2 | 28.5 | 8 | 14 | 24.7 | 10 | 36.1053.0 |
| 6 | G3/8" | 13 | 21.8 | 32.5 | 8.5 | 19 | 27.5 | 5 | 36.1054.0 |
| 8 | G1/8" | 14.4 | 14.2 | 23.5 | 5 | 12 | 25.3 | 10 | 36.1055.0 |
| 8 | G1/4" | 14.4 | 18.2 | 28.5 | 8 | 14 | 28.5 | 10 | 36.1056.0 |
| 8 | G3/8" | 14.4 | 21.8 | 32.5 | 8.5 | 19 | 29.5 | 5 | 36.1057.0 |
| 8 | G1/2" | 14.4 | 28 | 39 | 10.5 | 24 | 32 | 5 | 36.1058.0 |
| 10 | G1/4" | 18.4 | 18.2 | 28.5 | 8 | 14 | 32 | 5 | 36.1059.0 |
| 10 | G3/8" | 18.4 | 21.8 | 32.5 | 8.5 | 19 | 32.5 | 5 | 36.1060.0 |
| 10 | G1/2" | 18.4 | 28 | 39 | 10.5 | 24 | 35.5 | 5 | 36.1061.0 |
| 12 | G1/4" | 21 | 18.2 | 28.5 | 8 | 14 | 33.3 | 5 | 36.1062.0 |
| 12 | G3/8" | 21 | 21.8 | 32.5 | 8.5 | 19 | 35.5 | 5 | 36.1063.0 |
| 12 | G1/2" | 21 | 28 | 39 | 10.2 | 24 | 36.2 | 5 | 36.1064.0 |

raccordi automatici in polimero

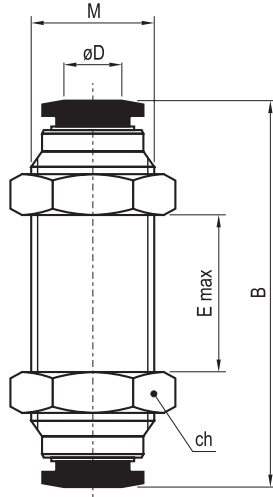
push-in fittings фитинги цанговые быстроразъёмные



AZMM

Raccordo diritto intermedio passaparte
Intermediate straight connector for panel mounting
Фитинг-соединитель прямой с монтажной резьбой на корпусе и гайками

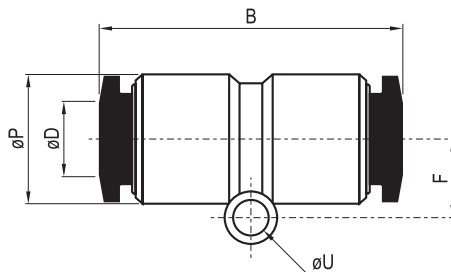
| tubo (øD) tube трубка | M | B | ch | E max | confez. package упак. | codice code код |
|-----------------------------|-------|------|----|-------|-----------------------------|-----------------------|
| 4 | M12x1 | 30.5 | 14 | 6 | 10 | 36.792.0 |
| 6 | M14x1 | 31 | 17 | 12 | 10 | 36.793.0 |
| 8 | M16x1 | 34.5 | 19 | 12.5 | 10 | 36.794.0 |
| 10 | M20x1 | 41.5 | 24 | 16 | 10 | 36.795.0 |
| 12 | M22x1 | 45 | 27 | 14.5 | 5 | 36.796.0 |



AZUC

Raccordo diritto intermedio
Intermediate straight connector
Фитинг-соединитель прямой

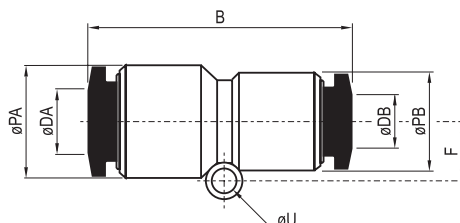
| tubo (øD) tube трубка | øP | F | øU | B | confez. package упак. | codice code код |
|-----------------------------|------|-----|-----|------|-----------------------------|-----------------------|
| 4 | 11 | 6 | 4.2 | 33.5 | 10 | 36.960.0 |
| 6 | 13 | 6.7 | 4.2 | 35.5 | 10 | 36.961.0 |
| 8 | 14.4 | 7.6 | 4.2 | 38.5 | 10 | 36.962.0 |
| 10 | 18.4 | 9 | 4.2 | 45 | 10 | 36.963.0 |
| 12 | 21 | 10 | 4.2 | 47.5 | 10 | 36.964.0 |
| 16 | 26 | - | - | 49 | 5 | 36.965.0 |



AZG

Raccordo diritto intermedio con riduzione
Intermediate straight connector with reduction
Фитинг-соединитель прямой с редукцией

| tubo (øDA) tube трубка | tubo (øDB) tube трубка | øPA | øPB | F | øU | B | confez. package упак. | codice code код |
|------------------------------|------------------------------|------|------|-----|-----|------|-----------------------------|-----------------------|
| 6 | 4 | 13 | 11 | 6.7 | 4.2 | 35 | 10 | 36.966.0 |
| 8 | 6 | 14.4 | 13 | 7.6 | 4.2 | 35.5 | 10 | 36.967.0 |
| 10 | 8 | 18.4 | 14.4 | 9 | 4.2 | 41.5 | 10 | 36.968.0 |
| 12 | 10 | 21 | 18.4 | 10 | 4.2 | 46 | 10 | 36.969.0 |



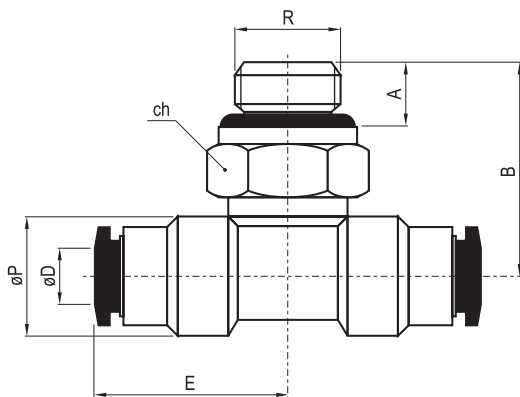
raccordi automatici in polimero

push-in fittings фитинги цанговые быстроразъёмные



AZT-G

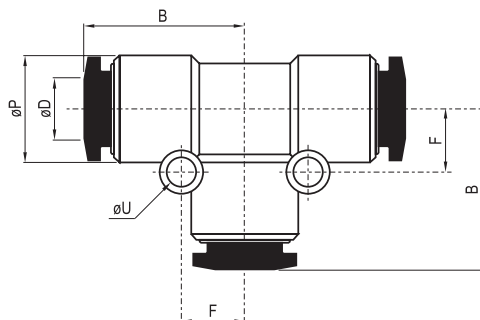
Raccordo a T orientabile maschio cilindrico
Swivel T-fitting, cylindric thread on the central leg
Поворотный Т-образный фитинг с цилиндрической резьбой и уплотнительным кольцом



| tubo (ØD) tube трубка | R | ØP | B | E | A | ch | confez. package упак. | codice code код |
|-----------------------------|-------|------|------|------|-----|----|-----------------------------|-----------------------|
| 4 | M5 | 11 | 21 | 18.5 | 4 | 10 | 10 | 36.821.0 |
| 4 | G1/8" | 11 | 22.5 | 18.5 | 5.5 | 14 | 10 | 36.822.0 |
| 4 | G1/4" | 11 | 24.5 | 18.5 | 7 | 17 | 10 | 36.823.0 |
| 6 | M5 | 13 | 23 | 19 | 4 | 10 | 10 | 36.824.0 |
| 6 | G1/8" | 13 | 24 | 19 | 5.5 | 14 | 10 | 36.825.0 |
| 6 | G1/4" | 13 | 26 | 19 | 7 | 17 | 10 | 36.826.0 |
| 6 | G3/8" | 13 | 27.1 | 19 | 7.5 | 20 | 10 | 36.827.0 |
| 8 | G1/8" | 14.4 | 24.5 | 21.7 | 5.5 | 14 | 10 | 36.828.0 |
| 8 | G1/4" | 14.4 | 26.5 | 21.7 | 7 | 17 | 10 | 36.829.0 |
| 8 | G3/8" | 14.4 | 27.6 | 21.7 | 7.5 | 20 | 10 | 36.830.0 |
| 8 | G1/2" | 14.4 | 30.5 | 21.7 | 10 | 24 | 5 | 36.831.0 |
| 10 | G1/8" | 18.4 | 29.5 | 27.4 | 5.5 | 17 | 5 | 36.832.0 |
| 10 | G1/4" | 18.4 | 31 | 27.4 | 7 | 17 | 5 | 36.833.0 |
| 10 | G3/8" | 18.4 | 32 | 27.4 | 7.5 | 20 | 5 | 36.834.0 |
| 10 | G1/2" | 18.4 | 35 | 27.4 | 10 | 24 | 5 | 36.835.0 |
| 12 | G1/4" | 21 | 32 | 28 | 7 | 20 | 5 | 36.836.0 |
| 12 | G3/8" | 21 | 33 | 28 | 7.5 | 20 | 5 | 36.837.0 |
| 12 | G1/2" | 21 | 36 | 28 | 10 | 24 | 5 | 36.838.0 |
| 16 | G1/4" | 26 | 38 | 32 | 7 | 24 | 4 | 36.839.0 |
| 16 | G3/8" | 26 | 39 | 32 | 7.5 | 24 | 4 | 36.840.0 |
| 16 | G1/2" | 26 | 41.5 | 32 | 10 | 24 | 4 | 36.841.0 |

AZUT

Raccordo a T intermedio
T-connector
Т-образный фитинг-соединитель



| tubo (ØD) tube трубка | ØP | ØU | F | B | confez. package упак. | codice code код |
|-----------------------------|------|-----|------|------|-----------------------------|-----------------------|
| 4 | 11 | 3.2 | 7 | 18.5 | 10 | 36.976.0 |
| 6 | 13 | 3.2 | 8 | 19 | 10 | 36.977.0 |
| 8 | 14.4 | 3.2 | 9 | 22 | 10 | 36.978.0 |
| 10 | 18.4 | 4.2 | 12 | 28 | 5 | 36.979.0 |
| 12 | 21 | 4.2 | 13.5 | 29 | 5 | 36.980.0 |
| 16 | 26 | 5.2 | 15.5 | 32 | 4 | 36.981.0 |

raccordi automatici in polimero

push-in fittings фитинги цанговые быстроразъёмные

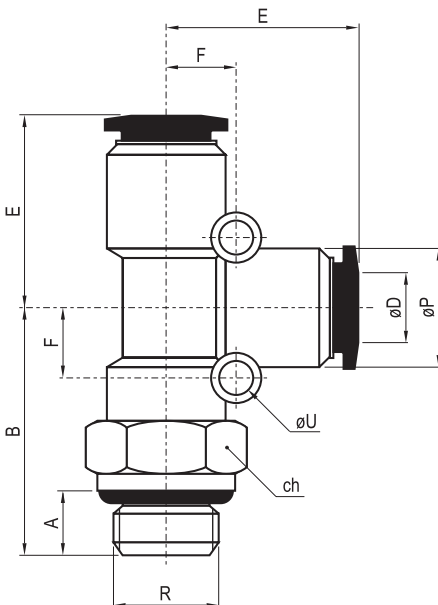


AZST-G

Raccordo a T orientabile maschio laterale cilindrico

Swivel T-fitting, cylindric thread on the lateral leg

Поворотный Т-образный фитинг с боковой цилиндрической резьбой и уплотнительным кольцом



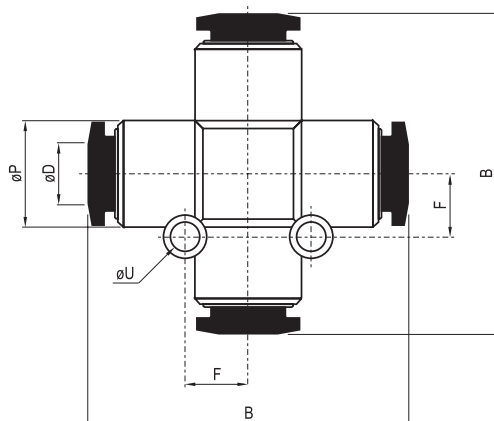
| tubo (øD) tube трубка | R | øP | B | E | øU | F | A | ch | confez. package упак. | codice code код |
|-----------------------------|-------|------|------|------|-----|------|-----|----|-----------------------------|-----------------------|
| 4 | M5 | 11 | 22.5 | 18.5 | 3.2 | 7 | 4 | 10 | 10 | 36.859.0 |
| 4 | G1/8" | 11 | 24 | 18.5 | 3.2 | 7 | 5.5 | 14 | 10 | 36.860.0 |
| 4 | G1/4" | 11 | 26 | 18.5 | 3.2 | 7 | 7 | 17 | 10 | 36.861.0 |
| 6 | M5 | 13 | 23.5 | 19 | 3.2 | 8 | 4 | 12 | 10 | 36.862.0 |
| 6 | G1/8" | 13 | 24.5 | 19 | 3.2 | 8 | 5.5 | 14 | 10 | 36.863.0 |
| 6 | G1/4" | 13 | 26.5 | 19 | 3.2 | 8 | 7 | 17 | 10 | 36.864.0 |
| 6 | G3/8" | 13 | 27.5 | 19 | 3.2 | 8 | 7.5 | 20 | 10 | 36.865.0 |
| 8 | G1/8" | 14.4 | 27 | 21.7 | 3.2 | 9 | 5.5 | 14 | 10 | 36.866.0 |
| 8 | G1/4" | 14.4 | 29 | 21.7 | 3.2 | 9 | 7 | 17 | 10 | 36.867.0 |
| 8 | G3/8" | 14.4 | 30 | 21.7 | 3.2 | 9 | 7.5 | 20 | 10 | 36.868.0 |
| 8 | G1/2" | 14.4 | 33 | 21.7 | 3.2 | 9 | 10 | 24 | 5 | 36.869.0 |
| 10 | G1/8" | 18.4 | 32.5 | 27.4 | 4.2 | 12 | 5.5 | 17 | 5 | 36.870.0 |
| 10 | G1/4" | 18.4 | 34 | 27.4 | 4.2 | 12 | 7 | 17 | 5 | 36.871.0 |
| 10 | G3/8" | 18.4 | 35 | 27.4 | 4.2 | 12 | 7.5 | 17 | 5 | 36.872.0 |
| 10 | G1/2" | 18.4 | 38 | 27.4 | 4.2 | 12 | 10 | 20 | 5 | 36.873.0 |
| 12 | G1/4" | 21 | 36 | 28 | 4.2 | 13.5 | 7 | 20 | 5 | 36.874.0 |
| 12 | G3/8" | 21 | 36.5 | 28 | 4.2 | 13.5 | 7.5 | 20 | 5 | 36.875.0 |
| 12 | G1/2" | 21 | 39.5 | 28 | 4.2 | 13.5 | 10 | 24 | 5 | 36.876.0 |
| 16 | G1/4" | 26 | 38 | 32 | 5.2 | 15 | 7 | 24 | 4 | 36.877.0 |
| 16 | G3/8" | 26 | 39 | 32 | 5.2 | 15 | 7.5 | 24 | 4 | 36.878.0 |
| 16 | G1/2" | 26 | 41.5 | 32 | 5.2 | 15 | 10 | 24 | 4 | 36.879.0 |

AZZA

Raccordo a croce intermedio

Cross connector

Крестообразный фитинг-соединитель



| tubo (øD) tube трубка | øP | F | øU | B | confez. package упак. | codice code код |
|-----------------------------|------|------|-----|------|-----------------------------|-----------------------|
| 4 | 11 | 7 | 3.2 | 37 | 10 | 36.991.0 |
| 6 | 13 | 8 | 3.2 | 38 | 10 | 36.992.0 |
| 8 | 14.4 | 9 | 3.2 | 45 | 5 | 36.993.0 |
| 10 | 18.4 | 12 | 4.2 | 56.5 | 5 | 36.994.0 |
| 12 | 21 | 13.3 | 4.2 | 58 | 5 | 36.995.0 |

raccordi automatici in polimero

push-in fittings фитинги цанговые быстроразъёмные

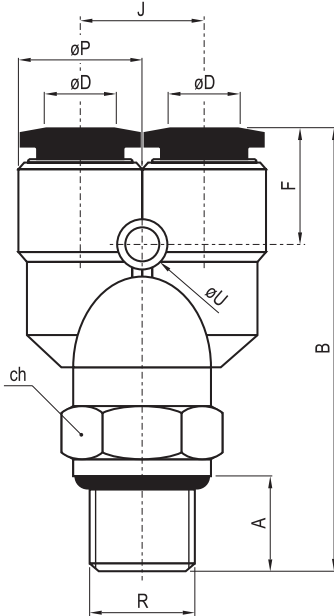


AZWT-G

Raccordo a Y orientabile maschio cilindrico

Swivel Y-fitting, cylindric thread on the central leg

Поворотный Y-образный фитинг с цилиндрической резьбой и уплотнительным кольцом



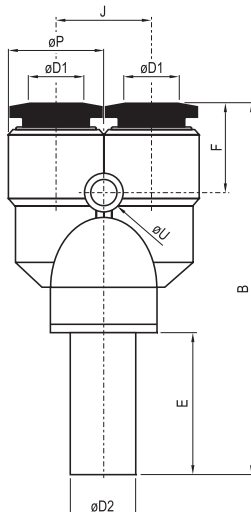
| tubo (øD) tube трубка | R | øP | B | F | øU | J | A | ch | confez. package упак. | codice code код |
|-----------------------------|-------|------|------|------|-----|----|-----|----|-----------------------------|-----------------------|
| 4 | M5 | 11 | 41.5 | 14 | 3.2 | 11 | 3.5 | 10 | 10 | 36.880.0 |
| 4 | G1/8" | 11 | 40.5 | 14 | 3.2 | 11 | 5.5 | 14 | 10 | 36.881.0 |
| 4 | G1/4" | 11 | 42.5 | 14 | 3.2 | 11 | 7 | 17 | 10 | 36.882.0 |
| 6 | M5 | 13 | 41.5 | 14.5 | 3.2 | 13 | 4.2 | 12 | 10 | 36.883.0 |
| 6 | G1/8" | 13 | 42.5 | 14.5 | 3.2 | 13 | 5.5 | 14 | 10 | 36.884.0 |
| 6 | G1/4" | 13 | 44.5 | 14.5 | 3.2 | 13 | 7 | 17 | 10 | 36.885.0 |
| 6 | G3/8" | 13 | 45.5 | 14.5 | 3.2 | 13 | 7.5 | 20 | 10 | 36.886.0 |
| 8 | G1/8" | 14.4 | 44 | 18.2 | 3.2 | 15 | 5.5 | 14 | 10 | 36.887.0 |
| 8 | G1/4" | 14.4 | 46 | 18.2 | 3.2 | 15 | 7 | 17 | 10 | 36.888.0 |
| 8 | G3/8" | 14.4 | 47 | 18.2 | 3.2 | 15 | 7.5 | 20 | 10 | 36.889.0 |
| 8 | G1/2" | 14.4 | 50 | 18.2 | 3.2 | 15 | 10 | 24 | 5 | 36.890.0 |
| 10 | G1/8" | 18.4 | 54 | 21 | 4.2 | 18 | 5.5 | 17 | 5 | 36.891.0 |
| 10 | G1/4" | 18.4 | 55.5 | 21 | 4.2 | 18 | 7 | 17 | 5 | 36.892.0 |
| 10 | G3/8" | 18.4 | 56.5 | 21 | 4.2 | 18 | 7.5 | 20 | 5 | 36.893.0 |
| 10 | G1/2" | 18.4 | 59.5 | 21 | 4.2 | 18 | 10 | 24 | 5 | 36.894.0 |
| 12 | G1/4" | 21 | 59 | 21.5 | 4.2 | 21 | 7 | 20 | 5 | 36.895.0 |
| 12 | G3/8" | 21 | 59.5 | 21.5 | 4.2 | 21 | 7.5 | 20 | 5 | 36.896.0 |
| 12 | G1/2" | 21 | 62.5 | 21.5 | 4.2 | 21 | 10 | 24 | 5 | 36.897.0 |
| 16 | G1/4" | 26 | 66 | 22 | 5.2 | 26 | 7 | 24 | 2 | 36.898.0 |
| 16 | G3/8" | 26 | 67 | 22 | 5.2 | 26 | 7.5 | 24 | 2 | 36.899.0 |
| 16 | G1/2" | 26 | 69.5 | 22 | 5.2 | 26 | 10 | 24 | 2 | 36.900.0 |

AZWJ

Raccordo a Y con codolo riduzione

Y-connector with male adapter and reducer

Y-образный фитинг-редуктор со штуцером



| tubo (øD2) tube трубка | tubo (øD1) tube трубка | øP | F | J | øU | B | E | confez. package упак. | codice code код |
|------------------------------|------------------------------|------|------|----|-----|------|------|-----------------------------|-----------------------|
| 6 | 4 | 11 | 14 | 11 | 3.2 | 49 | 18 | 10 | 36.1025.0 |
| 8 | 6 | 13 | 14.5 | 13 | 3.2 | 57 | 24 | 10 | 36.1026.0 |
| 10 | 8 | 14.4 | 18.2 | 15 | 3.2 | 60.5 | 26 | 5 | 36.1027.0 |
| 12 | 10 | 18.4 | 21 | 18 | 4.2 | 70.5 | 26.5 | 5 | 36.1028.0 |

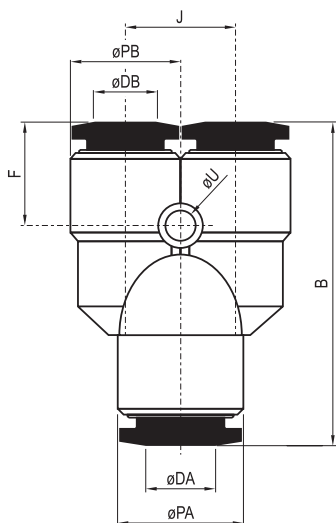
raccordi automatici in polimero

push-in fittings фитинги цанговые быстроразъёмные



AZW

Raccordo a Y intermedio con riduzione
Y-connector with reduction
Y-образный фитинг-соединитель с редукцией

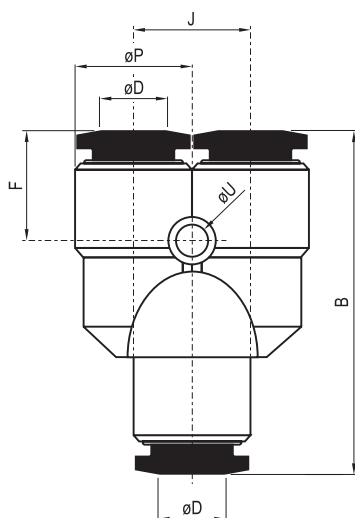


| tubo (øDA) tube трубка | tubo (øDB) tube трубка | øPA | øPB | F | J | øU | B | confez. package упак. | codice code код |
|------------------------------|------------------------------|------|------|------|----|-----|------|-----------------------------|-----------------------|
| 6 | 4 | 13 | 13 | 14.5 | 13 | 3.2 | 37 | 10 | 36.987.0 |
| 8 | 6 | 14.4 | 14.4 | 18.2 | 15 | 3.2 | 38.5 | 10 | 36.988.0 |
| 10 | 8 | 18.4 | 18.4 | 21 | 18 | 4.2 | 49 | 10 | 36.989.0 |
| 12 | 10 | 21 | 21 | 21.5 | 21 | 4.2 | 52.5 | 5 | 36.990.0 |



AZY

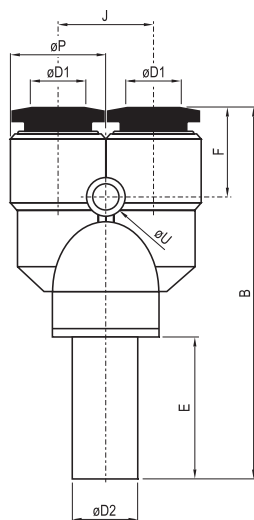
Raccordo a Y intermedio
Y-connector
Y-образный фитинг-соединитель



| tubo (øD) tube трубка | øP | F | J | øU | B | confez. package упак. | codice code код |
|-----------------------------|------|------|----|-----|------|-----------------------------|-----------------------|
| 4 | 11 | 14 | 11 | 3.2 | 35 | 10 | 36.982.0 |
| 6 | 13 | 14.5 | 13 | 3.2 | 37 | 10 | 36.983.0 |
| 8 | 14.4 | 18.2 | 15 | 3.2 | 39 | 10 | 36.984.0 |
| 10 | 18.4 | 21 | 18 | 4.2 | 49.5 | 10 | 36.985.0 |
| 12 | 21 | 21.5 | 21 | 4.2 | 52.5 | 5 | 36.986.0 |

AZYJ

Raccordo a Y con codolo
Y-connector with male adapter
Y-образный фитинг со штуцером



| tubo (øD1) tube трубка | tubo (øD2) tube трубка | øP | F | J | øU | B | E | confez. package упак. | codice code код |
|------------------------------|------------------------------|------|------|----|-----|------|------|-----------------------------|-----------------------|
| 4 | 4 | 11 | 14 | 11 | 3.2 | 51 | 17 | 10 | 36.1020.0 |
| 6 | 6 | 13 | 14.5 | 13 | 3.2 | 53 | 20 | 10 | 36.1021.0 |
| 8 | 8 | 14.4 | 18.2 | 15 | 3.2 | 56.5 | 22 | 10 | 36.1022.0 |
| 10 | 10 | 18.4 | 21 | 18 | 4.2 | 67.5 | 23.5 | 5 | 36.1023.0 |
| 12 | 12 | 21 | 21.5 | 21 | 4.2 | 73 | 26 | 5 | 36.1024.0 |

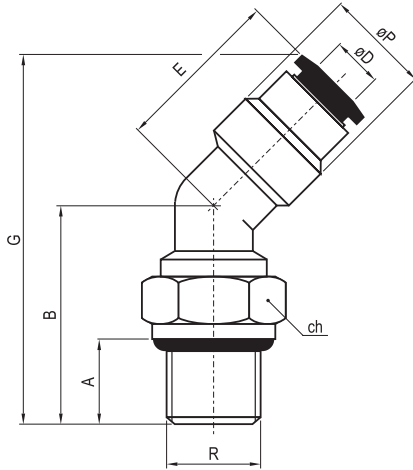
raccordi automatici in polimero

push-in fittings фитинги цанговые быстроразъёмные



AZL45-G

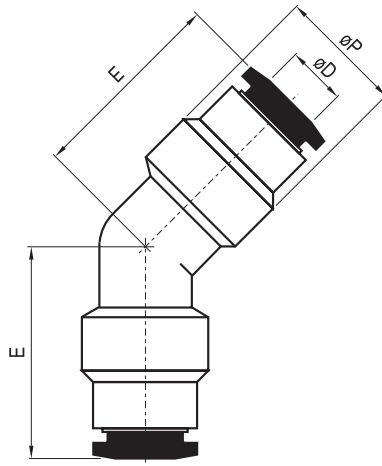
Raccordo a 45° orientabile maschio cilindrico
Swivel 45° fitting
Поворотный фитинг 45° с цилиндрической резьбой и уплотнительным кольцом



| tubo (øD) tube трубка | R | øP | B | G | E | A | ch | confez. package упак. | codice code код |
|-----------------------------|-------|------|------|------|------|-----|----|-----------------------------|-----------------------|
| 4 | G1/8" | 11 | 23.7 | 40.5 | 18.2 | 5.5 | 14 | 10 | 36.1070.0 |
| 4 | G1/4" | 11 | 25.7 | 42.5 | 18.2 | 7 | 17 | 10 | 36.1071.0 |
| 6 | G1/8" | 13 | 24.2 | 42 | 18.7 | 5.5 | 14 | 10 | 36.1073.0 |
| 6 | G1/4" | 13 | 26.2 | 43 | 18.7 | 7 | 17 | 10 | 36.1074.0 |
| 8 | G1/8" | 14.4 | 27 | 47.7 | 22 | 5.5 | 14 | 10 | 36.1076.0 |
| 8 | G1/4" | 14.4 | 29 | 49.7 | 22 | 7 | 17 | 10 | 36.1077.0 |
| 8 | G1/2" | 14.4 | 33 | 53.7 | 22 | 10 | 24 | 10 | 36.1079.0 |
| 10 | G1/8" | 18.4 | 31.5 | 56.5 | 26 | 5.5 | 17 | 10 | 36.1080.0 |
| 10 | G1/4" | 18.4 | 33 | 58 | 26 | 7 | 17 | 10 | 36.1081.0 |
| 10 | G1/2" | 18.4 | 37 | 62 | 26 | 10 | 20 | 5 | 36.1083.0 |
| 12 | G1/4" | 21 | 36 | 64.3 | 29.5 | 7 | 20 | 5 | 36.1084.0 |
| 12 | G1/2" | 21 | 39.5 | 67.8 | 29.5 | 10 | 24 | 5 | 36.1086.0 |

AZUL45

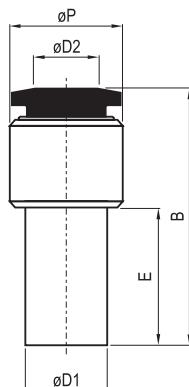
Raccordo intermedio a 45°
45° intermediate connector
Фитинг-соединитель 45°



| tubo (øD) tube трубка | øP | E | confez. package упак. | codice code код |
|-----------------------------|------|------|-----------------------------|-----------------------|
| 4 | 11 | 18.2 | 10 | 36.1087.0 |
| 6 | 13 | 18.7 | 10 | 36.1088.0 |
| 8 | 14.4 | 22 | 10 | 36.1089.0 |
| 10 | 18.4 | 26 | 10 | 36.1090.0 |
| 12 | 21 | 29.5 | 5 | 36.1091.0 |

AZGJ

Riduzione
Reducer
Редуктор



| tubo (øD1) tube трубка | tubo (øD2) tube трубка | øP | B | E | confez. package упак. | codice code код |
|------------------------------|------------------------------|------|------|------|-----------------------------|-----------------------|
| 6 | 4 | 11 | 37.5 | 21 | 10 | 36.1007.0 |
| 8 | 4 | 11 | 37.5 | 21 | 10 | 36.1008.0 |
| 8 | 6 | 13 | 38.5 | 24.5 | 10 | 36.1009.0 |
| 10 | 6 | 13 | 38.5 | 24.5 | 10 | 36.1010.0 |
| 10 | 8 | 14.4 | 44.5 | 25 | 10 | 36.1011.0 |
| 12 | 6 | 13 | 38.5 | 25 | 10 | 36.1012.0 |
| 12 | 8 | 14.4 | 44.5 | 25 | 10 | 36.1013.0 |
| 12 | 10 | 18.4 | 49 | 25 | 10 | 36.1014.0 |

raccordi automatici in polimero

push-in fittings фитинги цанговые быстроразъёмные

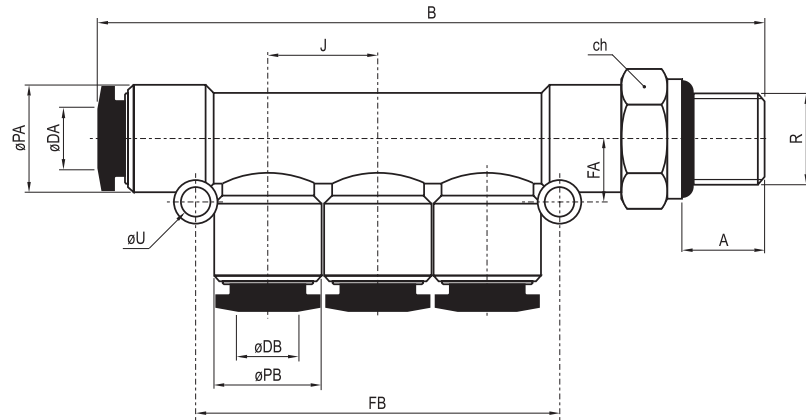


AZKD-G

Raccordo multi T orientabile maschio cilindrico

Swivel multi T-fitting with cylindric thread at one end

Поворотный разветвитель с цилиндрической резьбой и уплотнительным кольцом.



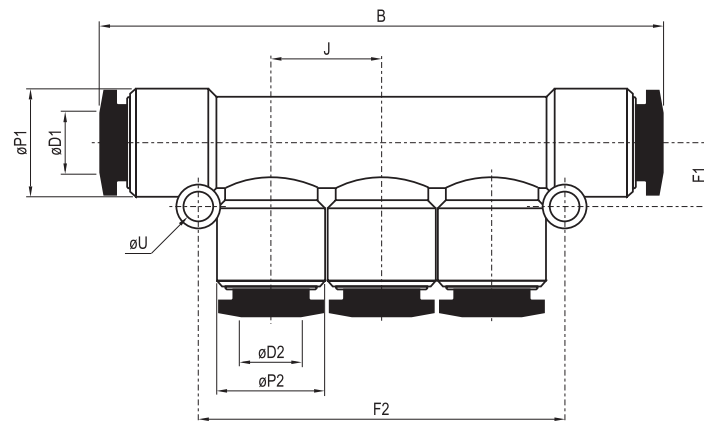
| tubo (ØDA) tube трубка | tubo (ØDB) tube трубка | R | ØPA | ØPB | J | A | ch | FA | FB | ØU | B | confez. package упак. | codice code код |
|------------------------------|------------------------------|-------|------|------|------|-----|----|----|----|-----|----|-----------------------------|-----------------------|
| 6 | 4 | G1/8" | 14.4 | 13 | 13 | 5.5 | 14 | 9 | 41 | 3.2 | 65 | 5 | 36.901.0 |
| 8 | 4 | G1/4" | 18.4 | 14.4 | 14.5 | 7 | 17 | 11 | 48 | 4.2 | 87 | 5 | 36.902.0 |
| 8 | 6 | G1/4" | 18.4 | 14.4 | 14.5 | 7 | 17 | 11 | 48 | 4.2 | 87 | 5 | 36.903.0 |
| 10 | 8 | G3/8" | 18.4 | 14.4 | 14.5 | 7.5 | 20 | 11 | 48 | 4.2 | 89 | 5 | 36.904.0 |

AZKG

Raccordo multi T intermedio

Multi T-connector

Разветвитель-соединитель



| tubo (ØD1) tube трубка | tubo (ØD2) tube трубка | ØP1 | ØP2 | J | F1 | F2 | ØU | B | confez. package упак. | codice code код |
|------------------------------|------------------------------|------|------|------|----|----|-----|----|-----------------------------|-----------------------|
| 6 | 4 | 14.4 | 13 | 13 | 9 | 42 | 3.2 | 60 | 5 | 36.996.0 |
| 8 | 4 | 18.4 | 14.4 | 14.5 | 11 | 48 | 4.2 | 80 | 5 | 36.997.0 |
| 8 | 6 | 18.4 | 14.4 | 14.5 | 11 | 48 | 4.2 | 80 | 5 | 36.998.0 |
| 10 | 6 | 18.4 | 14.4 | 14.5 | 11 | 48 | 4.2 | 82 | 5 | 36.999.0 |
| 10 | 8 | 18.4 | 14.4 | 14.5 | 11 | 48 | 4.2 | 82 | 5 | 36.1000.0 |

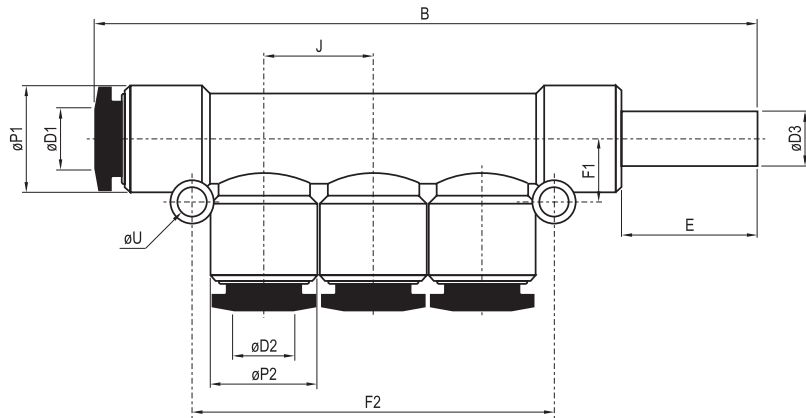
raccordi automatici in polimero

push-in fittings фитинги цанговые быстроразъёмные



AZKJ

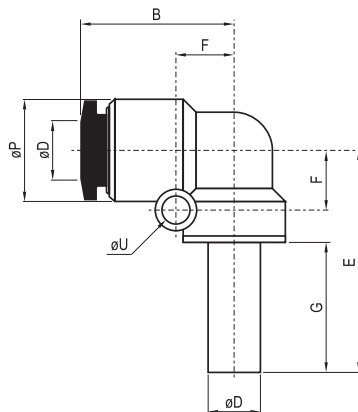
Raccordo multi T con codolo
Multi T-connector with male adapter
Разветвитель-соединитель со штуцером



| tubo (øD1) tube трубка | tubo (øD2) tube трубка | øD3 | øP1 | øP2 | J | F1 | F2 | øU | B | E | confez. package упак. | codice code код |
|------------------------------|------------------------------|-----|------|------|------|----|----|-----|-------|------|-----------------------------|-----------------------|
| 6 | 4 | 6 | 14.4 | 13 | 13 | 9 | 42 | 3.2 | 81 | 20 | 5 | 36.1002.0 |
| 8 | 4 | 8 | 18.4 | 14.4 | 14.5 | 11 | 48 | 4.2 | 104.5 | 22 | 5 | 36.1003.0 |
| 8 | 6 | 8 | 18.4 | 14.4 | 14.5 | 11 | 48 | 4.2 | 106 | 23.5 | 5 | 36.1004.0 |
| 10 | 8 | 10 | 18.4 | 14.4 | 14.5 | 11 | 48 | 4.2 | 109.5 | 26 | 5 | 36.1006.0 |

AZLJ

Raccordo a L con codolo
Elbow connector with male adapter
L-образный фитинг со штуцером



| tubo (øD) tube трубка | øP | F | øU | E | G | B | confez. package упак. | codice code код |
|-----------------------------|------|------|-----|------|------|------|-----------------------------|-----------------------|
| 4 | 11 | 7 | 3.2 | 31.5 | 17 | 18.5 | 10 | 36.1015.0 |
| 6 | 13 | 8 | 3.2 | 34.7 | 20 | 18.7 | 10 | 36.1016.0 |
| 8 | 14.4 | 10 | 3.2 | 40 | 22 | 22.7 | 10 | 36.1017.0 |
| 10 | 18.4 | 12 | 4.2 | 45.8 | 23.5 | 27.7 | 10 | 36.1018.0 |
| 12 | 21 | 13.5 | 4.2 | 50 | 26 | 29.5 | 5 | 36.1019.0 |

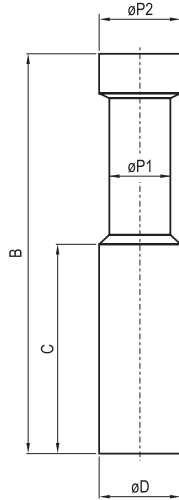
raccordi automatici in polimero

push-in fittings фитинги цанговые быстроразъёмные



AZP

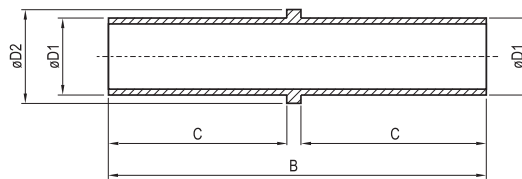
Tappe maschio
Plug
Заглушка



| tubo (ϕD) tube трубка | $\phi P1$ | $\phi P2$ | C | B | confez. package упак. | codice code код |
|-------------------------------------|-----------|-----------|------|----|-----------------------------|-----------------------|
| 4 | 3 | 5 | 15 | 28 | 10 | 36.1035.0 |
| 6 | 3 | 7 | 17 | 33 | 10 | 36.1036.0 |
| 8 | 4 | 9 | 18 | 37 | 10 | 36.1037.0 |
| 10 | 5 | 11 | 20.5 | 42 | 10 | 36.1038.0 |
| 12 | 6 | 13 | 23 | 44 | 10 | 36.1039.0 |

AZIJ

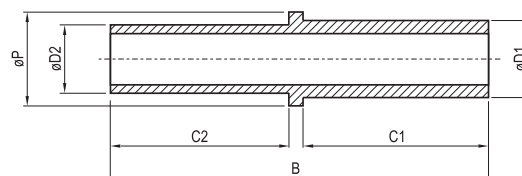
Giunzione doppia
Double connector for push-in fittings
Трубка-соединитель к цанговым фитингам



| tubo ($\phi D1$) tube трубка | $\phi D2$ | C | B | confez. package упак. | codice code код |
|--------------------------------------|-----------|------|------|-----------------------------|-----------------------|
| 4 | 5 | 17.5 | 35 | 10 | 36.1029.0 |
| 6 | 7 | 19 | 39.5 | 10 | 36.1030.0 |
| 8 | 9 | 21.5 | 45 | 10 | 36.1031.0 |
| 10 | 11 | 23 | 48.5 | 10 | 36.1032.0 |
| 12 | 13.5 | 25 | 53 | 10 | 36.1033.0 |
| 16 | 18 | 28 | 59.5 | 10 | 36.1034.0 |

AZIG

Giunzione doppia con riduzione
Double connector with reducer for push-in fittings
Трубка-соединитель с редукцией к цанговым фитингам



| tubo ($\phi D1$) tube трубка | tubo ($\phi D2$) tube трубка | ϕP | C1 | C2 | B | confez. package упак. | codice code код |
|--------------------------------------|--------------------------------------|----------|------|------|------|-----------------------------|-----------------------|
| 6 | 4 | 7 | 19 | 17 | 37.5 | 10 | 36.1040.0 |
| 8 | 6 | 9 | 21.5 | 19 | 42.5 | 10 | 36.1042.0 |
| 10 | 8 | 11 | 23 | 21.5 | 47 | 10 | 36.1044.0 |
| 12 | 10 | 13.5 | 25 | 23 | 51 | 10 | 36.1046.0 |
| 16 | 12 | 18 | 28 | 25 | 56.5 | 5 | 36.1047.0 |

raccordi automatici in polimero

push-in fittings фитинги цанговые быстроразъёмные

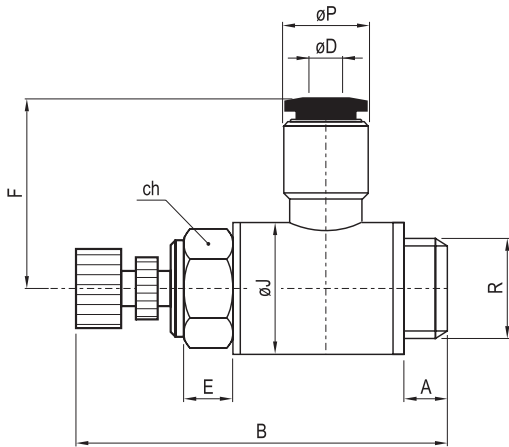


AZSC-GV

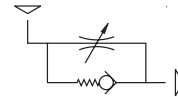
Raccordo a L con regolatore di flusso per valvola

L-fitting with flow regulator for valve

L-образный дроссель с обратным клапаном для распределителей



| tubo (ØD) tube трубка | R | ØP | ØJ | B | A | E | F | ch | confez. package упак. | codice code код |
|-----------------------------|-------|------|------|------|------|-----|------|----|-----------------------------|-----------------------|
| 4 | M5 | 11 | 10 | 29 | 3.5 | 4.5 | 20 | 8 | 10 | 36.922.0 |
| 4 | G1/8" | 11 | 14.2 | 39 | 5 | 4 | 21.5 | 12 | 10 | 36.923.0 |
| 4 | G1/4" | 11 | 18.2 | 45.5 | 8 | 4 | 23.7 | 14 | 10 | 36.924.0 |
| 6 | M5 | 13 | 10 | 29 | 3.5 | 4.5 | 20 | 8 | 10 | 36.925.0 |
| 6 | G1/8" | 13 | 14.2 | 39 | 5 | 4 | 22.5 | 12 | 10 | 36.926.0 |
| 6 | G1/4" | 13 | 18.2 | 45.5 | 8 | 4 | 24.7 | 14 | 10 | 36.927.0 |
| 6 | G3/8" | 13 | 21.8 | 54 | 8.5 | 4.5 | 27.5 | 19 | 5 | 36.928.0 |
| 8 | G1/8" | 14.4 | 14.2 | 39 | 5 | 4 | 25.3 | 12 | 10 | 36.929.0 |
| 8 | G1/4" | 14.4 | 18.2 | 45.5 | 8 | 4 | 28.5 | 14 | 10 | 36.930.0 |
| 8 | G3/8" | 14.4 | 21.8 | 54 | 8.5 | 4.5 | 29.5 | 19 | 5 | 36.931.0 |
| 8 | G1/2" | 14.4 | 28 | 61 | 10.5 | 5.5 | 32 | 24 | 5 | 36.932.0 |
| 10 | G1/4" | 18.4 | 18.2 | 45.5 | 8 | 4 | 32 | 14 | 5 | 36.933.0 |
| 10 | G3/8" | 18.4 | 21.8 | 54 | 8.5 | 4.5 | 32.5 | 19 | 5 | 36.934.0 |
| 10 | G1/2" | 18.4 | 28 | 61 | 10.5 | 5.5 | 35.5 | 24 | 5 | 36.935.0 |
| 12 | G1/4" | 21 | 18.2 | 45.5 | 8 | 4 | 33.3 | 14 | 5 | 36.936.0 |
| 12 | G3/8" | 21 | 21.8 | 54 | 8.5 | 4.5 | 35.5 | 19 | 5 | 36.937.0 |
| 12 | G1/2" | 21 | 28 | 61 | 10.2 | 5.5 | 36.2 | 24 | 5 | 36.938.0 |

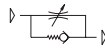
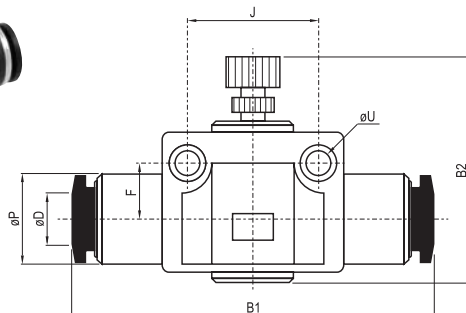


NSF

Regolatore di flusso unidirezionale

Uni-directional flow regulator

Дроссель



| tubo (ØD) tube трубка | ØP | J | F | ØU | B1 | B2 | confez. package упак. | codice code код |
|-----------------------------|------|----|-----|-----|------|------|-----------------------------|-----------------------|
| 4 | 11 | 14 | 6.5 | 3.2 | 39.5 | 29 | 10 | 36.939.0 |
| 6 | 13 | 20 | 8.5 | 4.2 | 47 | 42.5 | 10 | 36.940.0 |
| 8 | 14.4 | 22 | 9.5 | 4.2 | 51.5 | 45.5 | 5 | 36.941.0 |
| 10 | 18.4 | 26 | 11 | 4.2 | 63 | 52.3 | 5 | 36.942.0 |
| 12 | 21 | 32 | 13 | 4.2 | 73 | 56.5 | 5 | 36.943.0 |

raccordi automatici in polimero

push-in fittings фитинги цанговые быстроразъёмные



AZSC-G

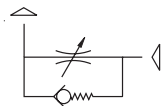
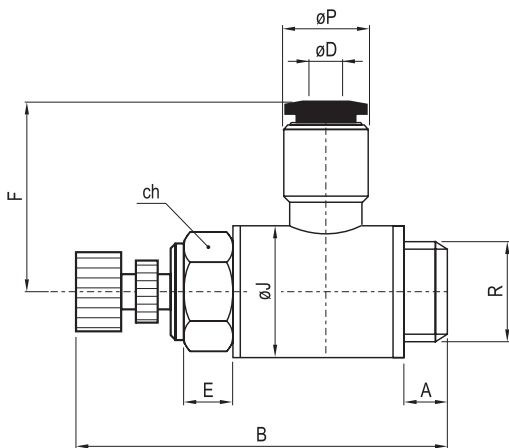
Raccordo a L con regolatore di flusso per cilindro

L-fitting with flow regulator for cylinder

L-образный дроссель с обратным клапаном для цилиндров



| tubo (øD) tube трубка | R | øP | øJ | B | A | E | F | ch | confez. package упак. | codice code код |
|-----------------------------|-------|------|------|------|------|-----|------|----|-----------------------------|-----------------------|
| 4 | M5 | 11 | 10 | 29 | 3.5 | 4.5 | 20 | 8 | 10 | 36.905.0 |
| 4 | G1/8" | 11 | 14.2 | 39 | 5 | 4 | 21.5 | 12 | 10 | 36.906.0 |
| 4 | G1/4" | 11 | 18.2 | 45.5 | 8 | 4 | 23.7 | 14 | 10 | 36.907.0 |
| 6 | M5 | 13 | 10 | 29 | 3.5 | 4.5 | 20 | 8 | 10 | 36.908.0 |
| 6 | G1/8" | 13 | 14.2 | 39 | 5 | 4 | 22.5 | 12 | 10 | 36.909.0 |
| 6 | G1/4" | 13 | 18.2 | 45.5 | 8 | 4 | 24.7 | 14 | 10 | 36.910.0 |
| 6 | G3/8" | 13 | 21.8 | 54 | 8.5 | 4.5 | 27.5 | 19 | 5 | 36.911.0 |
| 8 | G1/8" | 14.4 | 14.2 | 39 | 5 | 4 | 25.3 | 12 | 10 | 36.912.0 |
| 8 | G1/4" | 14.4 | 18.2 | 45.5 | 8 | 4 | 28.5 | 14 | 10 | 36.913.0 |
| 8 | G3/8" | 14.4 | 21.8 | 54 | 8.5 | 4.5 | 29.5 | 19 | 5 | 36.914.0 |
| 8 | G1/2" | 14.4 | 28 | 61 | 10.5 | 5.5 | 32 | 24 | 5 | 36.915.0 |
| 10 | G1/4" | 18.4 | 18.2 | 45.5 | 8 | 4 | 32 | 14 | 5 | 36.916.0 |
| 10 | G3/8" | 18.4 | 21.8 | 54 | 8.5 | 4.5 | 32.5 | 19 | 5 | 36.917.0 |
| 10 | G1/2" | 18.4 | 28 | 61 | 10.5 | 5.5 | 35.5 | 24 | 5 | 36.918.0 |
| 12 | G1/4" | 21 | 18.2 | 45.5 | 8 | 4 | 33.3 | 14 | 5 | 36.919.0 |
| 12 | G3/8" | 21 | 21.8 | 54 | 8.5 | 4.5 | 35.5 | 19 | 5 | 36.920.0 |
| 12 | G1/2" | 21 | 28 | 61 | 10.2 | 5.5 | 36.2 | 24 | 5 | 36.921.0 |



raccordi filettati standard

standard threaded fittings соединения и переходники резьбовые

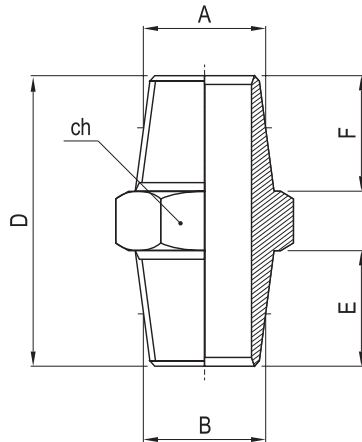


RC020

Nipplo conico maschio-maschio

Conic nipple male-male

Переходник с двумя наружными коническими резьбами



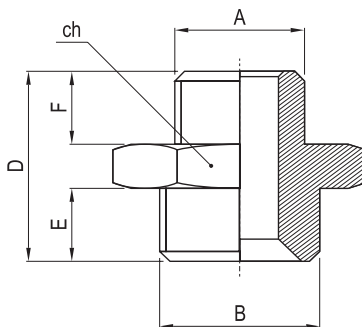
| A | B | D | E | F | ch | confez. package упак. | codice code КОД |
|-------|-------|------|------|------|----|-----------------------|-----------------|
| R1/8" | R1/8" | 20.5 | 8 | 8 | 12 | 50 | 36.259.0 |
| R1/8" | R1/4" | 24 | 11 | 8 | 14 | 50 | 36.260.0 |
| R1/8" | R3/8" | 24.5 | 11.5 | 8 | 17 | 50 | 36.261.0 |
| R1/4" | R1/4" | 27 | 11 | 11 | 14 | 50 | 36.263.0 |
| R1/4" | R3/8" | 27.5 | 11.5 | 11 | 17 | 50 | 36.264.0 |
| R1/4" | R1/2" | 30.5 | 14 | 11 | 22 | 50 | 36.265.0 |
| R3/8" | R3/8" | 28 | 11.5 | 11.5 | 17 | 50 | 36.266.0 |
| R3/8" | R1/2" | 31 | 14 | 11.5 | 22 | 50 | 36.267.0 |
| R1/2" | R1/2" | 33.5 | 14 | 14 | 22 | 50 | 36.268.0 |
| R1/2" | R3/4" | 37 | 16.5 | 14 | 27 | 25 | 36.269.0 |
| R3/4" | R3/4" | 39.5 | 16.5 | 16.5 | 27 | 20 | 36.270.0 |

RC030

Nipplo cilindrico maschio-maschio

Cylindric nipple male-male

Переходник с двумя наружными цилиндрическими резьбами



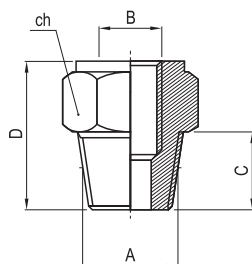
| A | B | D | E | F | ch | confez. package упак. | codice code КОД |
|-------|-------|------|----|----|----|-----------------------|-----------------|
| M5 | M5 | 11.5 | 4 | 4 | 8 | 50 | 36.248.0 |
| M5 | G1/8" | 14.5 | 6 | 4 | 14 | 50 | 36.249.0 |
| G1/8" | G1/8" | 16.5 | 6 | 6 | 14 | 50 | 36.250.0 |
| G1/8" | G1/4" | 19 | 8 | 6 | 17 | 50 | 36.251.0 |
| G1/8" | G3/8" | 20 | 9 | 6 | 19 | 50 | 36.252.0 |
| G1/4" | G1/4" | 21 | 8 | 8 | 17 | 50 | 36.253.0 |
| G1/4" | G3/8" | 22 | 9 | 8 | 19 | 50 | 36.254.0 |
| G1/4" | G1/2" | 23.5 | 10 | 8 | 24 | 50 | 36.255.0 |
| G3/8" | G3/8" | 23 | 9 | 9 | 19 | 50 | 36.256.0 |
| G3/8" | G1/2" | 24.5 | 10 | 9 | 24 | 50 | 36.257.0 |
| G1/2" | G1/2" | 25.5 | 10 | 10 | 24 | 25 | 36.258.0 |

RC040

Maggiorazione maschio-femmina conica

Conic male-female increaser

Расширитель с конической резьбой



| A | B | C | D | ch | confez. package упак. | codice code КОД |
|-------|-------|------|------|----|-----------------------|-----------------|
| R1/8" | G1/8" | 8 | 18 | 14 | 50 | 36.296.0 |
| R1/8" | G1/4" | 8 | 21.5 | 17 | 50 | 36.297.0 |
| R1/8" | G3/8" | 8 | 22.5 | 22 | 50 | 36.298.0 |
| R1/4" | G1/4" | 11 | 24.5 | 17 | 50 | 36.299.0 |
| R1/4" | G3/8" | 11 | 25.5 | 22 | 50 | 36.300.0 |
| R1/4" | G1/2" | 11 | 29 | 24 | 50 | 36.301.0 |
| R3/8" | G3/8" | 11.5 | 26 | 22 | 50 | 36.302.0 |
| R3/8" | G1/2" | 11.5 | 29.5 | 24 | 50 | 36.303.0 |
| R1/2" | G1/2" | 14 | 32 | 26 | 25 | 36.304.0 |

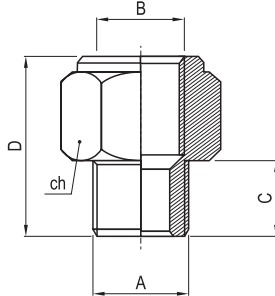
raccordi filettati standard

standard threaded fittings соединения и переходники резьбовые



RC050

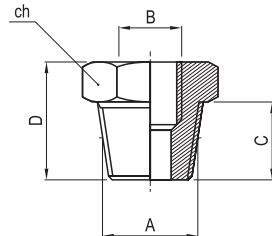
Maggiorazione maschio-femmina cilindrica
Cylindric male-female increaser
Расширитель с цилиндрической резьбой



| A | B | C | D | ch | confez. package упак. | codice code КОД |
|-------|-------|----|------|----|-----------------------|-----------------|
| M5 | G1/8" | 4 | 14.5 | 14 | 50 | 36.306.0 |
| G1/8" | G1/8" | 6 | 16 | 14 | 50 | 36.307.0 |
| G1/8" | G1/4" | 6 | 19.5 | 17 | 50 | 36.308.0 |
| G1/8" | G3/8" | 6 | 20.5 | 22 | 50 | 36.309.0 |
| G1/4" | G1/4" | 8 | 21.5 | 17 | 50 | 36.310.0 |
| G1/4" | G3/8" | 8 | 22.5 | 22 | 50 | 36.311.0 |
| G1/4" | G1/2" | 8 | 26 | 24 | 50 | 36.312.0 |
| G3/8" | G3/8" | 9 | 23.5 | 22 | 50 | 36.313.0 |
| G3/8" | G1/2" | 9 | 27 | 24 | 50 | 36.314.0 |
| G1/2" | G1/2" | 10 | 28 | 26 | 25 | 36.315.0 |

RC080

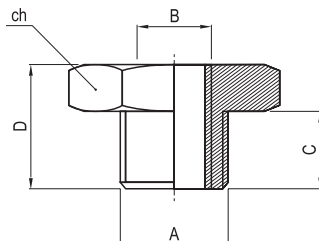
Riduzione maschio-femmina conica
Conic male-female reducer
Редукция с конической резьбой



| A | B | C | D | ch | confez. package упак. | codice code КОД |
|-------|-------|------|------|----|-----------------------|-----------------|
| R1/4" | G1/8" | 11 | 16 | 14 | 50 | 36.279.0 |
| R3/8" | G1/8" | 11.5 | 16.5 | 17 | 50 | 36.280.0 |
| R1/2" | G1/8" | 14 | 19.5 | 22 | 25 | 36.281.0 |
| R3/8" | G1/4" | 11.5 | 16.5 | 17 | 50 | 36.282.0 |
| R1/2" | G1/4" | 14 | 19.5 | 22 | 50 | 36.283.0 |
| R1/2" | G3/8" | 14 | 19.5 | 22 | 50 | 36.284.0 |
| R3/4" | G1/2" | 16.5 | 23 | 27 | 20 | 36.285.0 |

RC090

Riduzione maschio-femmina cilindrica
Cylindric male-female reducer
Редукция с цилиндрической резьбой



| A | B | C | D | ch | confez. package упак. | codice code КОД |
|-------|-------|----|------|----|-----------------------|-----------------|
| G1/8" | M5 | 6 | 10.5 | 14 | 50 | 36.288.0 |
| G1/4" | G1/8" | 8 | 13 | 17 | 50 | 36.289.0 |
| G3/8" | G1/8" | 9 | 14 | 19 | 50 | 36.290.0 |
| G3/8" | G1/4" | 9 | 14 | 19 | 50 | 36.291.0 |
| G1/2" | G1/8" | 10 | 15.5 | 24 | 25 | 36.660.0 |
| G1/2" | G1/4" | 10 | 15.5 | 24 | 50 | 36.292.0 |
| G1/2" | G3/8" | 10 | 15.5 | 24 | 50 | 36.293.0 |

raccordi filettati standard

standard threaded fittings соединения и переходники резьбовые

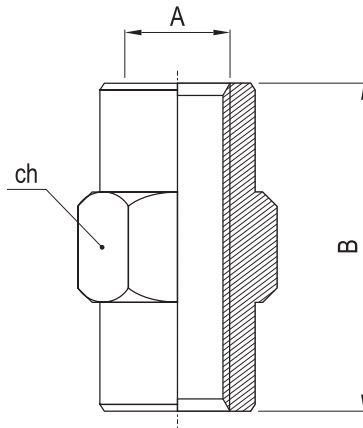


RC100

Manicotto femmina-femmina

Sleeve female-female

Муфта с внутренними цилиндрическими резьбами



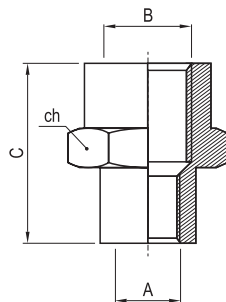
| A | B | | | ch | confez. package упак. | codice code код |
|-------|----|--|--|----|--------------------------|--------------------|
| M5 | 11 | | | 8 | 50 | 36.273.0 |
| G1/8" | 15 | | | 14 | 50 | 36.274.0 |
| G1/4" | 22 | | | 17 | 50 | 36.275.0 |
| G3/8" | 23 | | | 22 | 50 | 36.276.0 |
| G1/2" | 28 | | | 26 | 25 | 36.277.0 |

RC110

Manicotto riduzione femmina-femmina

Reducing sleeve female-female

Редукционная муфта с внутренними цилиндрическими резьбами



| A | B | C | | ch | confez. package упак. | codice code код |
|-------|-------|------|--|----|--------------------------|--------------------|
| M5 | G1/8" | 13.5 | | 14 | 50 | 36.316.0 |
| G1/8" | G1/4" | 19 | | 17 | 50 | 36.317.0 |
| G1/8" | G3/8" | 20 | | 22 | 50 | 36.318.0 |
| G1/8" | G1/2" | 24 | | 24 | 50 | 36.319.0 |
| G1/4" | G3/8" | 22.5 | | 22 | 50 | 36.320.0 |
| G1/4" | G1/2" | 26 | | 24 | 50 | 36.321.0 |
| G3/8" | G1/2" | 26 | | 24 | 50 | 36.322.0 |

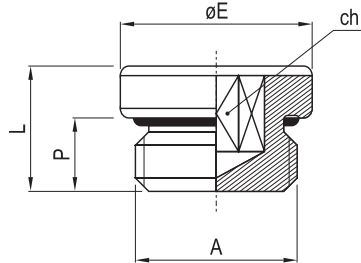
raccordi filettati standard

standard threaded fittings соединения и переходники резьбовые



RC320

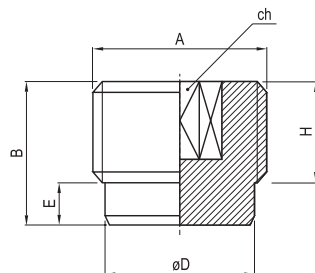
Tappo maschio cilindrico con O-Ring
Cylindric male plug with O-Ring
Заглушка с цилиндрической резьбой и уплотнительным кольцом



| A | P | L | øE | ch | confez. package упак. | codice code КОД |
|-------|-----|------|----|-----|-----------------------|-----------------|
| M5 | 4.5 | 7.2 | 8 | 2.5 | 50 | 36.643.0 |
| G1/8" | 6.5 | 9.5 | 14 | 5 | 50 | 36.325.0 |
| G1/4" | 8 | 11.5 | 17 | 6 | 50 | 36.326.0 |
| G3/8" | 9 | 12.5 | 20 | 8 | 50 | 36.327.0 |
| G1/2" | 10 | 14 | 26 | 10 | 25 | 36.328.0 |

RC321

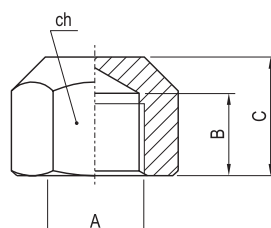
Tappo maschio cilindrico a scomparsa
Cylindric male plug
Заглушка с цилиндрической резьбой



| A | B | øD | E | H | ch | confez. package упак. | codice code КОД |
|-------|----|----|---|---|----|-----------------------|-----------------|
| G1/8" | 8 | 8 | 2 | 6 | 5 | 100 | 36.644.0 |
| G1/4" | 11 | 11 | 3 | 8 | 6 | 100 | 36.645.0 |

RC330

Tappo femmina
Female plug
Заглушка с внутренней цилиндрической резьбой



| A | B | C | ch | confez. package упак. | codice code КОД |
|-------|------|------|----|-----------------------|-----------------|
| G1/8" | 8 | 11.5 | 14 | 50 | 36.331.0 |
| G1/4" | 11 | 15 | 17 | 50 | 36.332.0 |
| G3/8" | 11.5 | 15.5 | 20 | 50 | 36.333.0 |
| G1/2" | 14 | 20 | 24 | 25 | 36.334.0 |

raccordi filettati standard

standard threaded fittings соединения и переходники резьбовые

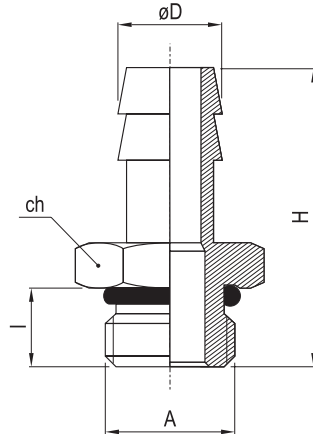


RC340

Portagomma maschio cilindrico con O-Ring

Male hose adapter with O-Ring

Штуцер для трубки с наружной цилиндрической резьбой и уплотнительным кольцом



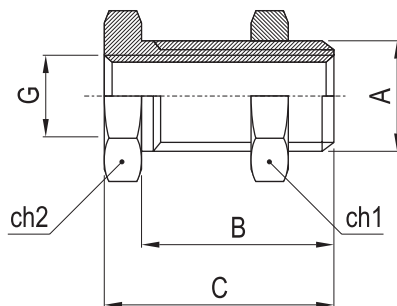
| $\varnothing D$ | A | I | H | ch | confez. package упак. | codice code КОД |
|-----------------|-------|-----|------|----|-----------------------|-----------------|
| 7 | G1/8" | 6.5 | 30 | 14 | 50 | 36.393.0 |
| 7 | G1/4" | 8 | 32 | 17 | 50 | 36.394.0 |
| 8 | G1/8" | 6.5 | 30 | 14 | 50 | 36.395.0 |
| 9 | G1/8" | 6.5 | 30 | 14 | 50 | 36.396.0 |
| 9 | G1/4" | 8 | 32 | 17 | 50 | 36.397.0 |
| 9 | G3/8" | 9 | 33 | 20 | 50 | 36.398.0 |
| 12 | G1/4" | 8 | 33 | 17 | 50 | 36.400.0 |
| 12 | G3/8" | 9 | 34 | 20 | 50 | 36.401.0 |
| 12 | G1/2" | 10 | 35.5 | 25 | 50 | 36.402.0 |
| 17 | G3/8" | 9 | 38 | 20 | 50 | 36.659.0 |
| 17 | G1/2" | 10 | 39.5 | 25 | 50 | 36.403.0 |

RC360

Passaparete femmina

Female bulkhead for panel mounting

Соединитель с монтажной гайкой



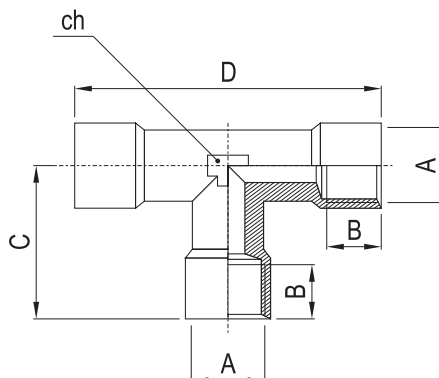
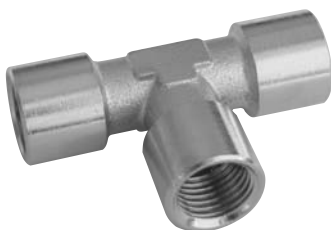
| G | A | B | C | ch1 | ch2 | confez. package упак. | codice code КОД |
|-------|---------|----|----|-----|-----|-----------------------|-----------------|
| G1/8" | M16x1.5 | 14 | 18 | 22 | 19 | 50 | 36.639.0 |
| G1/4" | M20x1.5 | 21 | 25 | 27 | 24 | 50 | 36.640.0 |
| G3/8" | M26x1.5 | 21 | 26 | 32 | 30 | 25 | 36.641.0 |
| G1/2" | M28x1.5 | 27 | 33 | 36 | 32 | 20 | 36.642.0 |

RC400

Raccordo a T femmina

Female T-fitting

T-образный соединитель с внутренними цилиндрическими резьбами



| A | B | C | D | ch | confez. package упак. | codice code КОД |
|-------|------|------|----|----|-----------------------|-----------------|
| G1/8" | 8 | 21 | 42 | 10 | 50 | 36.347.0 |
| G1/4" | 11 | 25.5 | 51 | 13 | 50 | 36.348.0 |
| G3/8" | 11.5 | 28 | 56 | 17 | 50 | 36.349.0 |
| G1/2" | 14 | 33.5 | 67 | 21 | 25 | 36.350.0 |

raccordi filettati standard

standard threaded fittings соединения и переходники резьбовые



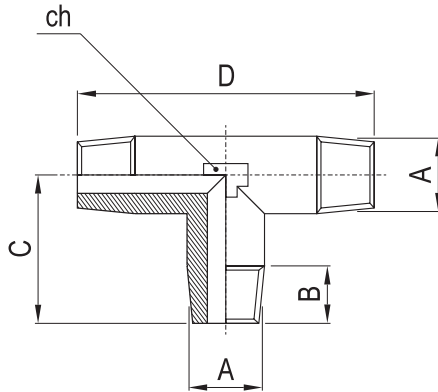
RC410

Raccordo a T maschio conico

Male T-fitting (conic thread)

T-образный соединитель с наружными коническими резьбами

| A | B | C | D | ch | confez. package упак. | codice code КОД |
|-------|------|------|----|----|-----------------------|-----------------|
| R1/8" | 8 | 18.5 | 37 | 10 | 50 | 36.375.0 |
| R1/4" | 11 | 23.5 | 47 | 13 | 50 | 36.376.0 |
| R3/8" | 11.5 | 26 | 52 | 17 | 50 | 36.377.0 |
| R1/2" | 14 | 31 | 62 | 21 | 25 | 36.378.0 |



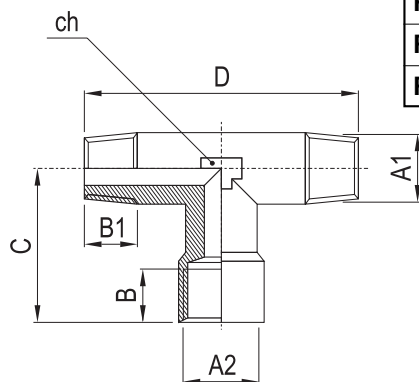
RC420

Raccordo a T con filetto femmina cilindrico centrale

T-fitting with female cylindric thread in central position

T-образный соединитель с внутренней цилиндрической резьбой в центральном положении

| A1 | A2 | B | B1 | C | D | ch | confez. package упак. | codice code КОД |
|-------|-------|------|------|------|----|----|-----------------------|-----------------|
| R1/8" | G1/8" | 8 | 8 | 21 | 37 | 10 | 50 | 36.381.0 |
| R1/4" | G1/4" | 11 | 11 | 25.5 | 47 | 13 | 50 | 36.382.0 |
| R3/8" | G3/8" | 11.5 | 11.5 | 28 | 52 | 17 | 50 | 36.383.0 |
| R1/2" | G1/2" | 14 | 14 | 33.5 | 62 | 21 | 25 | 36.384.0 |



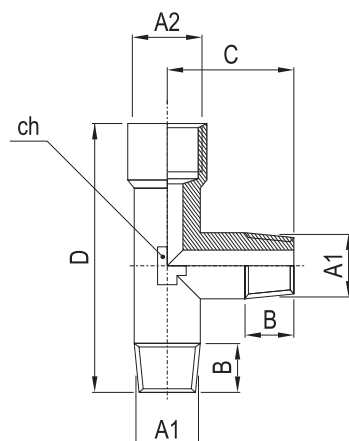
RC430

Raccordo a T con filetto femmina cilindrico laterale

T-fitting with female cylindric thread in lateral position

T-образный соединитель с внутренней цилиндрической резьбой в боковом положении

| A1 | A2 | B | C | D | ch | confez. package упак. | codice code КОД |
|-------|-------|------|------|------|----|-----------------------|-----------------|
| R1/8" | G1/8" | 8 | 18.5 | 39.5 | 10 | 50 | 36.387.0 |
| R1/4" | G1/4" | 11 | 23.5 | 49 | 13 | 50 | 36.388.0 |
| R3/8" | G3/8" | 11.5 | 26 | 54 | 17 | 50 | 36.389.0 |
| R1/2" | G1/2" | 14 | 31 | 64.5 | 21 | 25 | 36.390.0 |



raccordi filettati standard

standard threaded fittings соединения и переходники резьбовые

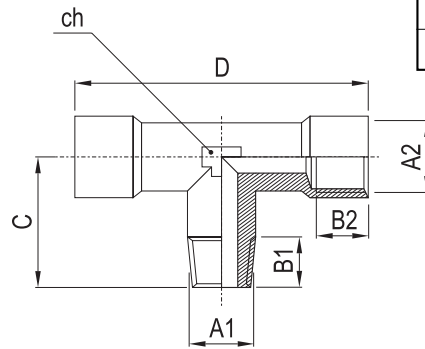


RC440

Raccordo a T con filetto maschio conico centrale

T-fitting with male conic thread in central position

T-образный соединитель с наружной конической резьбой в центральном положении



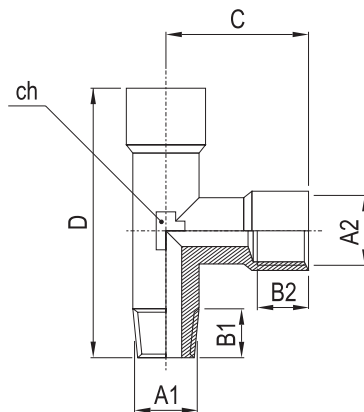
| A1 | A2 | B1 | B2 | C | D | ch | confez. package упак. | codice code КОД |
|-------|-------|------|------|------|----|----|-----------------------|-----------------|
| R1/8" | G1/8" | 8 | 8 | 18.5 | 42 | 10 | 50 | 36.353.0 |
| R1/4" | G1/4" | 11 | 11 | 23.5 | 51 | 13 | 50 | 36.354.0 |
| R3/8" | G3/8" | 11.5 | 11.5 | 26 | 56 | 17 | 50 | 36.355.0 |
| R1/2" | G1/2" | 14 | 14 | 31 | 67 | 21 | 25 | 36.356.0 |

RC450

Raccordo a T con filetto maschio conico laterale

T-fitting with male conic thread in lateral position

T-образный соединитель с наружной конической резьбой в боковом положении



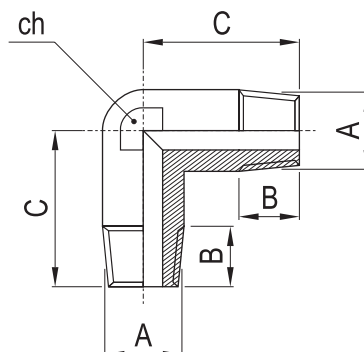
| A1 | A2 | B1 | B2 | C | D | ch | confez. package упак. | codice code КОД |
|-------|-------|------|------|------|------|----|-----------------------|-----------------|
| R1/8" | G1/8" | 8 | 8 | 21 | 39.5 | 10 | 50 | 36.359.0 |
| R1/4" | G1/4" | 11 | 11 | 25.5 | 49 | 13 | 50 | 36.360.0 |
| R3/8" | G3/8" | 11.5 | 11.5 | 28 | 54 | 17 | 50 | 36.361.0 |
| R1/2" | G1/2" | 14 | 14 | 33.5 | 64.5 | 21 | 25 | 36.362.0 |

RC500

Raccordo a gomito maschio conico

Male elbow (conic thread)

Угловой соединитель с наружными коническими резьбами



| A | B | C | ch | confez. package упак. | codice code КОД |
|-------|------|------|----|-----------------------|-----------------|
| R1/8" | 8 | 18.5 | 10 | 50 | 36.369.0 |
| R1/4" | 11 | 23.5 | 13 | 50 | 36.370.0 |
| R3/8" | 11.5 | 26 | 17 | 50 | 36.371.0 |
| R1/2" | 14 | 31 | 21 | 25 | 36.372.0 |

raccordi filettati standard

standard threaded fittings соединения и переходники резьбовые



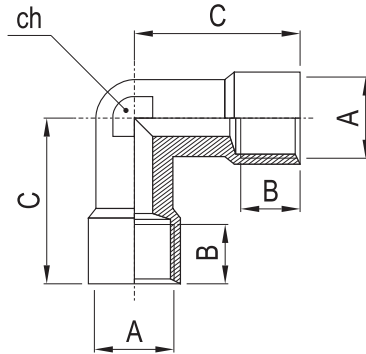
RC510

Raccordo a gomito femmina

Female elbow

Угловой соединитель с внутренними цилиндрическими резьбами

| A | B | C | ch | confez. package упак. | codice code КОД |
|-------|------|------|----|-----------------------|-----------------|
| G1/8" | 8 | 21 | 10 | 50 | 36.335.0 |
| G1/4" | 11 | 25.5 | 13 | 50 | 36.336.0 |
| G3/8" | 11.5 | 28 | 17 | 50 | 36.337.0 |
| G1/2" | 14 | 33.5 | 21 | 25 | 36.338.0 |



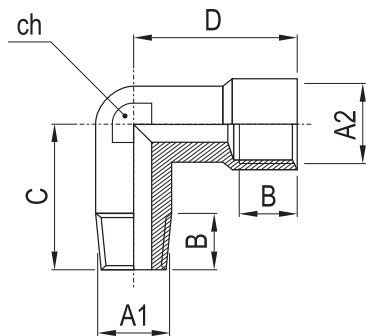
RC520

Raccordo a gomito maschio (conico) - femmina (cilindrico)

Male (conic thread) - female (cylindric thread) elbow

Угловой соединитель с внутренней цилиндрической и наружной конической резьбой

| A1 | A2 | B | C | D | ch | confez. package упак. | codice code КОД |
|-------|-------|------|------|------|----|-----------------------|-----------------|
| R1/8" | G1/8" | 8 | 18.5 | 21 | 10 | 50 | 36.341.0 |
| R1/4" | G1/4" | 11 | 23.5 | 25.5 | 13 | 50 | 36.342.0 |
| R3/8" | G3/8" | 11.5 | 26 | 28 | 17 | 50 | 36.343.0 |
| R1/2" | G1/2" | 14 | 31 | 33.5 | 21 | 25 | 36.344.0 |



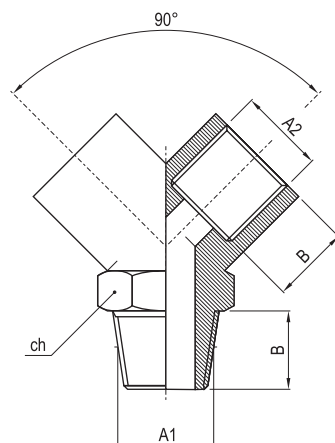
RC600

Raccordo a Y maschio conico

Conic male Y-fitting

Y-образный соединитель с наружной конической резьбой

| A1 | A2 | B | ch | confez. package упак. | codice code КОД |
|-------|-------|------|----|-----------------------|-----------------|
| R1/8" | G1/8" | 8 | 13 | 25 | 36.417.0 |
| R1/4" | G1/4" | 11 | 17 | 25 | 36.418.0 |
| R3/8" | G3/8" | 11.5 | 20 | 20 | 36.419.0 |
| R1/2" | G1/2" | 14 | 25 | 10 | 36.420.0 |



raccordi filettati standard

standard threaded fittings соединения и переходники резьбовые

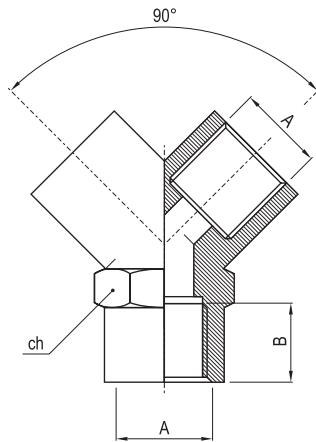


RC610

Raccordo a Y femmina

Female Y-fitting

Y-образный соединитель с внутренней цилиндрической резьбой



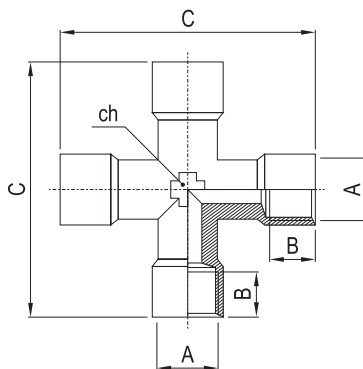
| A | B | | ch | confez. package упак. | codice code КОД |
|-------|------|--|----|-----------------------|-----------------|
| G1/8" | 8 | | 13 | 25 | 36.421.0 |
| G1/4" | 11 | | 17 | 25 | 36.422.0 |
| G3/8" | 11.5 | | 20 | 20 | 36.423.0 |
| G1/2" | 14 | | 25 | 10 | 36.424.0 |

RC620

Raccordo a croce femmina

Female cross

Крестообразный соединитель с внутренними цилиндрическими резьбами



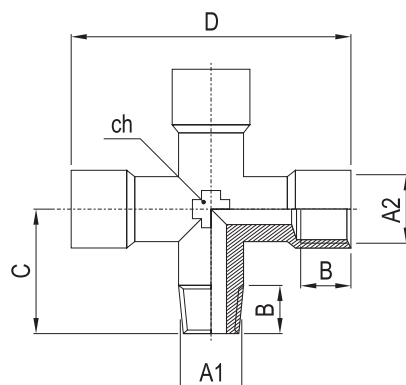
| A | B | C | | ch | confez. package упак. | codice code КОД |
|-------|------|----|--|----|-----------------------|-----------------|
| G1/8" | 8 | 42 | | 10 | 25 | 36.365.0 |
| G1/4" | 11 | 51 | | 13 | 25 | 36.366.0 |
| G3/8" | 11.5 | 56 | | 17 | 25 | 36.367.0 |
| G1/2" | 14 | 67 | | 21 | 20 | 36.368.0 |

RC625

Raccordo a croce 1 maschio conico + 3 femmine

Cross with 1 conic male + 3 females

Крестообразный соединитель с 1 наружной конической и 3 внутренними цилиндрическими резьбами



| A1 | A2 | B | C | D | ch | confez. package упак. | codice code КОД |
|-------|-------|------|------|----|----|-----------------------|-----------------|
| R1/8" | G1/8" | 8 | 18.5 | 42 | 10 | 25 | 36.405.0 |
| R1/4" | G1/4" | 11 | 23.5 | 51 | 13 | 25 | 36.406.0 |
| R3/8" | G3/8" | 11.5 | 26 | 56 | 17 | 25 | 36.407.0 |
| R1/2" | G1/2" | 14 | 31 | 67 | 21 | 20 | 36.408.0 |

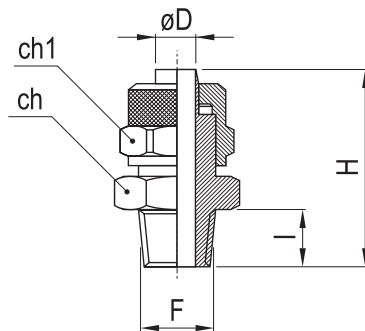
raccordi a calzamento

quick fittings фитинги с накидной гайкой



RZ100

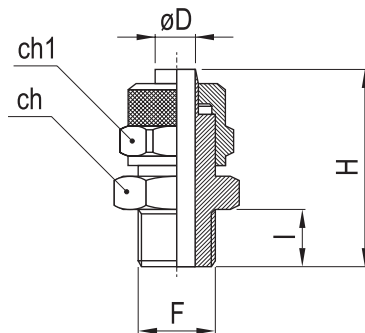
Raccordo diritto maschio conico
Straight male fitting, with conic thread
Фитинг прямой с конической резьбой



| tubo (øD) tube трубка | F | I | H | ch1 | ch | confez. package упак. | codice code код |
|-----------------------------|-------|------|------|-----|----|-----------------------------|-----------------------|
| 4/2.7 | R1/8" | 8 | 23.8 | 8 | 12 | 50 | 36.429.0 |
| 5/3 | R1/8" | 8 | 25 | 8 | 12 | 50 | 36.430.0 |
| 6/4 | R1/8" | 8 | 27.5 | 12 | 12 | 50 | 36.431.0 |
| 6/4 | R1/4" | 11 | 31 | 12 | 14 | 50 | 36.432.0 |
| 6/4 | R3/8" | 11.5 | 31.5 | 12 | 17 | 50 | 36.433.0 |
| 8/6 | R1/8" | 8 | 27.5 | 14 | 12 | 50 | 36.434.0 |
| 8/6 | R1/4" | 11 | 31 | 14 | 14 | 50 | 36.435.0 |
| 8/6 | R3/8" | 11.5 | 31.5 | 14 | 17 | 50 | 36.436.0 |
| 8/6 | R1/2" | 14 | 34.5 | 14 | 22 | 50 | 36.437.0 |
| 10/8 | R1/8" | 8 | 29.5 | 16 | 14 | 50 | 36.438.0 |
| 10/8 | R1/4" | 11 | 32.5 | 16 | 14 | 50 | 36.439.0 |
| 10/8 | R3/8" | 11.5 | 33 | 16 | 17 | 25 | 36.440.0 |
| 10/8 | R1/2" | 14 | 36 | 16 | 22 | 25 | 36.441.0 |
| 12/10 | R3/8" | 11.5 | 34.5 | 18 | 17 | 20 | 36.442.0 |
| 12/10 | R1/2" | 14 | 37.5 | 18 | 22 | 20 | 36.443.0 |
| 15/12.5 | R1/2" | 14 | 39.5 | 22 | 22 | 10 | 36.444.0 |

RZ120

Raccordo diritto maschio cilindrico
Straight male fitting, with cylindric thread
Фитинг прямой с цилиндрической резьбой



| tubo (øD) tube трубка | F | I | H | ch1 | ch | confez. package упак. | codice code код |
|-----------------------------|-------|----|------|-----|----|-----------------------------|-----------------------|
| 5/3 | G1/8" | 6 | 23 | 8 | 14 | 50 | 36.446.0 |
| 6/4 | G1/8" | 6 | 25.5 | 12 | 14 | 50 | 36.447.0 |
| 6/4 | G1/4" | 8 | 28 | 12 | 17 | 50 | 36.448.0 |
| 6/4 | G3/8" | 9 | 29 | 12 | 19 | 50 | 36.449.0 |
| 8/6 | G1/8" | 6 | 25.5 | 14 | 14 | 50 | 36.450.0 |
| 8/6 | G1/4" | 8 | 28 | 14 | 17 | 50 | 36.451.0 |
| 8/6 | G3/8" | 9 | 29 | 14 | 19 | 50 | 36.452.0 |
| 10/8 | G1/4" | 8 | 29.5 | 16 | 17 | 50 | 36.455.0 |
| 10/8 | G3/8" | 9 | 30.5 | 16 | 19 | 25 | 36.456.0 |
| 12/10 | G3/8" | 9 | 32 | 18 | 19 | 20 | 36.458.0 |
| 12/10 | G1/2" | 10 | 33.5 | 18 | 24 | 20 | 36.459.0 |
| 15/12.5 | G1/2" | 10 | 35.5 | 22 | 24 | 10 | 36.460.0 |

raccordi a calzamento

quick fittings фитинги с накидной гайкой

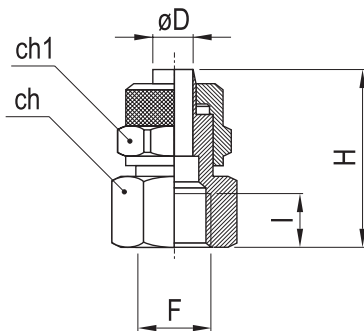


RZ130

Raccordo diritto femmina

Straight female fitting

Фитинг прямой с внутренней цилиндрической резьбой



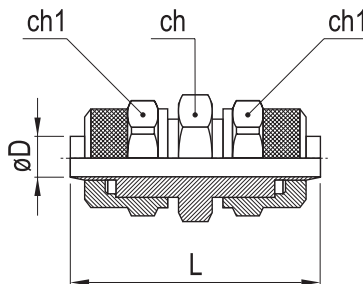
| tubo (øD) tube трубка | F | I | H | ch1 | ch | confez. package упак. | codice code код |
|-----------------------------|-------|------|------|-----|----|-----------------------------|-----------------------|
| 6/4 | G1/8" | 8 | 25 | 12 | 14 | 50 | 36.473.0 |
| 6/4 | G1/4" | 11 | 29 | 12 | 17 | 50 | 36.474.0 |
| 6/4 | G3/8" | 11.5 | 29.5 | 12 | 20 | 50 | 36.475.0 |
| 8/6 | G1/8" | 8 | 25 | 14 | 14 | 50 | 36.476.0 |
| 8/6 | G1/4" | 11 | 29 | 14 | 17 | 50 | 36.477.0 |
| 8/6 | G3/8" | 11.5 | 29.5 | 14 | 20 | 50 | 36.478.0 |
| 10/8 | G1/4" | 11 | 30.5 | 16 | 17 | 50 | 36.480.0 |
| 10/8 | G3/8" | 11.5 | 31 | 16 | 20 | 25 | 36.481.0 |
| 12/10 | G3/8" | 11.5 | 32.5 | 18 | 20 | 20 | 36.483.0 |

RZ140

Raccordo diritto intermedio

Intermediate straight connector

Фитинг-соединитель прямой



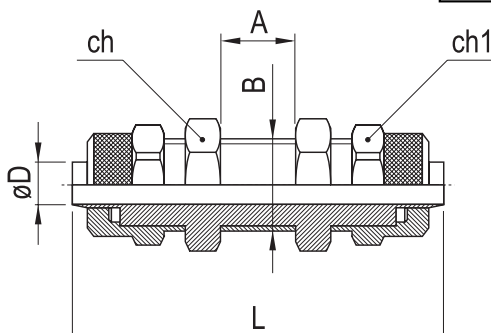
| tubo (øD) tube трубка | L | ch1 | ch | confez. package упак. | codice code код |
|-----------------------------|------|-----|----|-----------------------------|-----------------------|
| 5/3 | 28.5 | 8 | 8 | 50 | 36.485.0 |
| 6/4 | 34.5 | 12 | 12 | 50 | 36.486.0 |
| 8/6 | 35 | 14 | 14 | 50 | 36.487.0 |
| 10/8 | 38 | 16 | 16 | 25 | 36.488.0 |
| 12/10 | 41 | 18 | 17 | 25 | 36.489.0 |
| 15/12.5 | 45.5 | 22 | 22 | 10 | 36.490.0 |

RZ150

Raccordo diritto intermedio passaparete

Intermediate straight connector for panel mounting

Фитинг-соединитель прямой с монтажной резьбой на корпусе и гайками



| tubo (øD) tube трубка | A max | B | L | ch1 | ch | confez. package упак. | codice code код |
|-----------------------------|----------|-------|----|-----|----|-----------------------------|-----------------------|
| 6/4 | 10.5 | M10x1 | 48 | 12 | 14 | 50 | 36.493.0 |
| 8/6 | 10.5 | M12x1 | 48 | 14 | 16 | 50 | 36.494.0 |
| 10/8 | 8.5 | M14x1 | 50 | 16 | 17 | 25 | 36.495.0 |
| 12/10 | 8.5 | M16x1 | 53 | 18 | 19 | 20 | 36.496.0 |
| 15/12.5 | 8.5 | M20x1 | 58 | 22 | 24 | 10 | 36.497.0 |

raccordi a calzamento

quick fittings фитинги с накидной гайкой

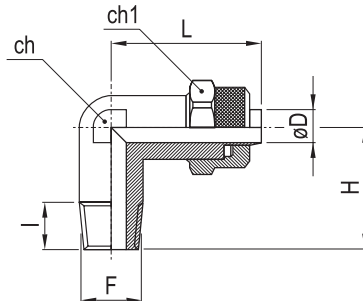


RZ210

Raccordo a L maschio conico

L-fitting with conic thread

L-образный фитинг с наружной конической резьбой



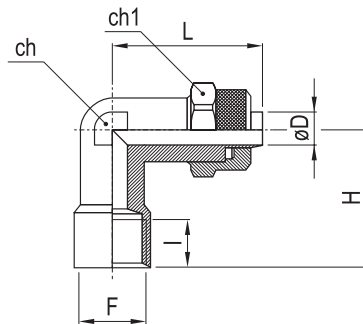
| tubo (øD) tube трубка | F | I | H | L | ch1 | ch | confez. package упак. | codice code код |
|-----------------------------|-------|------|------|------|-----|----|-----------------------------|-----------------------|
| 5/3 | R1/8" | 8 | 17 | 21.5 | 8 | 8 | 50 | 36.498.0 |
| 6/4 | R1/8" | 8 | 17 | 22.5 | 12 | 8 | 50 | 36.499.0 |
| 6/4 | R1/4" | 11 | 20 | 22.5 | 12 | 10 | 50 | 36.500.0 |
| 6/4 | R3/8" | 11.5 | 22.5 | 23.5 | 12 | 11 | 50 | 36.501.0 |
| 8/6 | R1/8" | 8 | 17 | 22.5 | 14 | 10 | 50 | 36.502.0 |
| 8/6 | R1/4" | 11 | 20 | 22.5 | 14 | 10 | 50 | 36.503.0 |
| 8/6 | R3/8" | 11.5 | 22.5 | 24 | 14 | 11 | 50 | 36.504.0 |
| 10/8 | R1/8" | 8 | 18.5 | 25.5 | 16 | 11 | 50 | 36.506.0 |
| 10/8 | R1/4" | 11 | 21.5 | 25.5 | 16 | 11 | 50 | 36.507.0 |
| 10/8 | R3/8" | 11.5 | 22.5 | 25.5 | 16 | 11 | 25 | 36.508.0 |
| 10/8 | R1/2" | 14 | 28 | 28 | 16 | 17 | 25 | 36.509.0 |
| 12/10 | R3/8" | 11.5 | 24.5 | 30 | 18 | 14 | 20 | 36.510.0 |
| 12/10 | R1/2" | 14 | 28 | 30.5 | 18 | 17 | 20 | 36.511.0 |
| 15/12.5 | R1/2" | 14 | 28 | 34 | 22 | 17 | 10 | 36.512.0 |

RZ220

Raccordo a L femmina cilindrico

L-fitting with female cylindrical thread

L-образный фитинг с внутренней цилиндрической резьбой



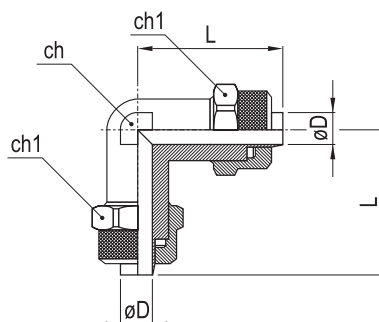
| tubo (øD) tube трубка | F | I | H | L | ch1 | ch | confez. package упак. | codice code код |
|-----------------------------|-------|------|------|------|-----|----|-----------------------------|-----------------------|
| 6/4 | G1/8" | 8 | 19 | 22.5 | 12 | 10 | 50 | 36.524.0 |
| 6/4 | G1/4" | 10.5 | 23 | 25 | 12 | 11 | 50 | 36.525.0 |
| 8/6 | G1/8" | 8 | 19 | 22.5 | 14 | 10 | 50 | 36.526.0 |
| 8/6 | G1/4" | 10.5 | 23 | 25 | 14 | 11 | 50 | 36.527.0 |
| 10/8 | G1/4" | 11 | 23.5 | 26 | 16 | 13 | 25 | 36.528.0 |

RZ230

Raccordo a L intermedio

Intermediate elbow connector

L-образный фитинг-соединитель



| tubo (øD) tube трубка | L | ch1 | ch | confez. package упак. | codice code код |
|-----------------------------|------|-----|----|-----------------------------|-----------------------|
| 6/4 | 21.5 | 12 | 8 | 50 | 36.531.0 |
| 8/6 | 22.5 | 14 | 10 | 50 | 36.532.0 |
| 10/8 | 25.5 | 16 | 11 | 25 | 36.533.0 |
| 12/10 | 30 | 18 | 14 | 20 | 36.534.0 |
| 15/12.5 | 34 | 22 | 17 | 10 | 36.535.0 |

raccordi a calzamento

quick fittings фитинги с накидной гайкой

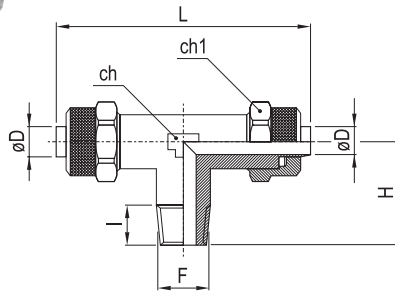


RZ300

Raccordo a T maschio conico

T-fitting with conic thread

T-образный фитинг с наружной конической резьбой



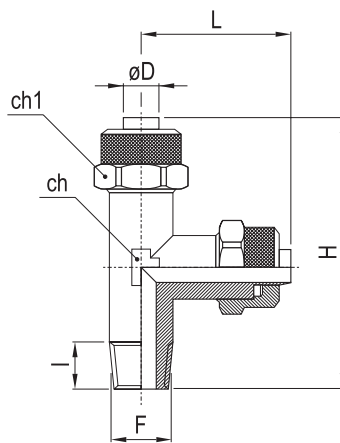
| tubo (ØD) tube трубка | F | I | H | L | ch1 | ch | confez. package упак. | codice code код |
|-----------------------------|-------|------|------|------|-----|----|-----------------------------|-----------------------|
| 6/4 | R1/8" | 8 | 17 | 45 | 11 | 8 | 50 | 36.537.0 |
| 6/4 | R1/4" | 11 | 20.5 | 45.5 | 11 | 10 | 50 | 36.538.0 |
| 8/6 | R1/8" | 8 | 17.5 | 45.5 | 14 | 10 | 50 | 36.539.0 |
| 8/6 | R1/4" | 11 | 20.5 | 45.5 | 14 | 10 | 50 | 36.540.0 |
| 10/8 | R1/8" | 8 | 18.5 | 51 | 16 | 11 | 50 | 36.541.0 |
| 10/8 | R1/4" | 11 | 21.5 | 51 | 16 | 11 | 50 | 36.542.0 |
| 10/8 | R3/8" | 11.5 | 22.5 | 51 | 16 | 11 | 25 | 36.543.0 |
| 12/10 | R3/8" | 11.5 | 22.5 | 60 | 18 | 14 | 20 | 36.544.0 |
| 15/12.5 | R1/2" | 14 | 28 | 68 | 22 | 17 | 10 | 36.545.0 |

RZ320

Raccordo a T maschio laterale conico

T-fitting, conic thread on the lateral leg

T-образный фитинг с боковой наружной конической резьбой



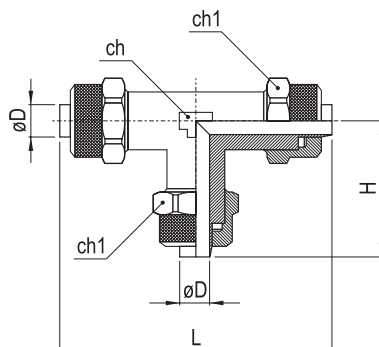
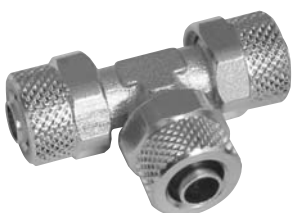
| tubo (ØD) tube трубка | F | I | L | H | ch1 | ch | confez. package упак. | codice code код |
|-----------------------------|-------|------|------|------|-----|----|-----------------------------|-----------------------|
| 6/4 | R1/8" | 8 | 22.5 | 39.5 | 12 | 8 | 50 | 36.557.0 |
| 6/4 | R1/4" | 11 | 22.5 | 42.5 | 12 | 10 | 50 | 36.558.0 |
| 8/6 | R1/8" | 8 | 22.5 | 40.5 | 14 | 10 | 50 | 36.559.0 |
| 8/6 | R1/4" | 11 | 22.5 | 43.5 | 14 | 10 | 50 | 36.560.0 |
| 10/8 | R1/8" | 8 | 25.5 | 44 | 16 | 11 | 50 | 36.561.0 |
| 10/8 | R1/4" | 11 | 25.5 | 46.5 | 16 | 11 | 50 | 36.562.0 |
| 10/8 | R3/8" | 11.5 | 25.5 | 48 | 16 | 11 | 25 | 36.563.0 |
| 12/10 | R3/8" | 11.5 | 30 | 54.5 | 18 | 14 | 20 | 36.564.0 |
| 15/12.5 | R1/2" | 14 | 34 | 62 | 22 | 17 | 10 | 36.565.0 |

RZ330

Raccordo a T intermedio

Intermediate T-connector

T-образный фитинг-соединитель



| tubo (ØD) tube трубка | H | L | ch1 | ch | confez. package упак. | codice code код |
|-----------------------------|------|----|-----|----|-----------------------------|-----------------------|
| 6/4 | 22.5 | 45 | 12 | 8 | 50 | 36.567.0 |
| 8/6 | 22.5 | 45 | 14 | 10 | 50 | 36.568.0 |
| 10/8 | 25.5 | 51 | 16 | 11 | 25 | 36.569.0 |
| 12/10 | 30 | 60 | 18 | 14 | 20 | 36.570.0 |
| 15/12.5 | 34 | 68 | 22 | 17 | 10 | 36.571.0 |

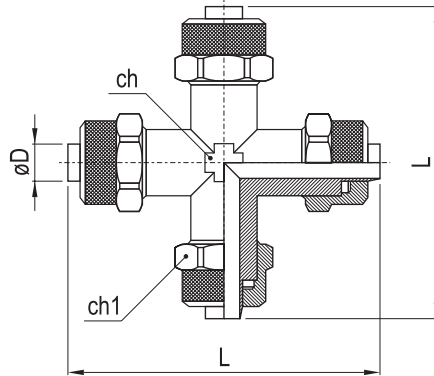
raccordi a calzamento

quick fittings фитинги с накидной гайкой



RZ400

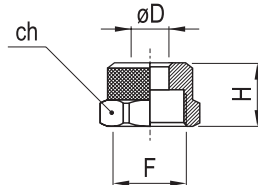
Raccordo a croce intermedio
Intermediate cross
Крестообразный соединитель



| tubo (øD) tube трубка | L | ch1 | ch | confez. package упак. | codice code код |
|-----------------------------|----|-----|----|-----------------------------|-----------------------|
| 6/4 | 43 | 12 | 8 | 20 | 36.580.0 |
| 8/6 | 45 | 14 | 10 | 20 | 36.581.0 |
| 10/8 | 51 | 16 | 11 | 10 | 36.582.0 |

RZ700

Dado di serraggio
Locking nut
Накидная гайка



| tubo (øD) tube трубка | F | H | | ch | confez. package упак. | codice code код |
|-----------------------------|---------|------|--|----|-----------------------------|-----------------------|
| 4/2.7 | M6x0.5 | 8.1 | | 8 | 50 | 36.572.0 |
| 5/3 | M7x0.75 | 8.5 | | 8 | 50 | 36.573.0 |
| 6/4 | M8x0.75 | 9 | | 9 | 50 | 36.574.0 |
| 6/4 | M10x1 | 10.5 | | 12 | 50 | 36.575.0 |
| 8/6 | M12x1 | 10.5 | | 14 | 50 | 36.576.0 |
| 10/8 | M14x1 | 11.5 | | 16 | 25 | 36.577.0 |
| 12/10 | M16x1 | 13 | | 18 | 20 | 36.578.0 |
| 15/12.5 | M20x1 | 15.5 | | 22 | 10 | 36.579.0 |

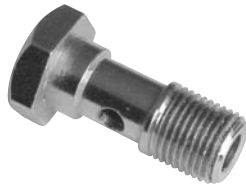
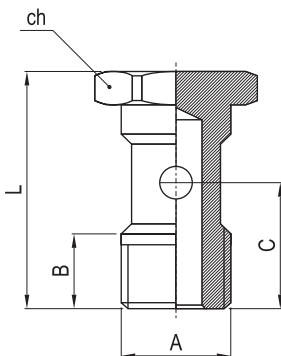
raccordi a calzamento

quick fittings фитинги с накидной гайкой



RZ410/RZ411

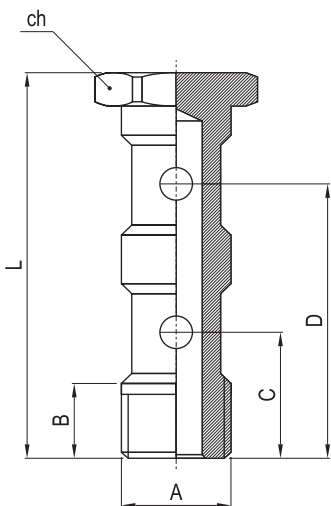
Vite cava singola
Single stem for banjo
Одиночный пустотелый болт



| A | B | C | L | ch | confez. package упак. | sigla e codice part number and code номер для заказа и код | |
|-------|-----|------|------|----|-----------------------|------------------------------------------------------------|-----------|
| M5 | 7.6 | 9.6 | 17.5 | 8 | 50 | RZ410 M5 | 36.611.0 |
| G1/8" | 9 | 14.5 | 27 | 14 | 50 | RZ410 1/8 | 36.612.0 |
| G1/4" | 11 | 18 | 29.5 | 17 | 50 | RZ411 1/4 | 36.1372.0 |

RZ420/RZ421

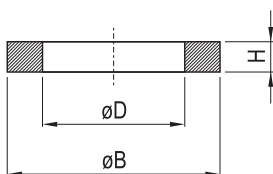
Vite cava doppia
Double stem for banjo
Двойной пустотелый болт



| A | B | C | D | L | ch | confez. package упак. | sigla e codice part number and code номер для заказа и код | |
|-------|----|----|----|------|----|-----------------------|------------------------------------------------------------|-----------|
| G1/8" | 8 | 15 | 31 | 43 | 14 | 50 | RZ421 1/8 | 36.1373.0 |
| G1/4" | 11 | 17 | 36 | 45.5 | 17 | 50 | RZ421 1/4 | 36.1374.0 |

RZ610

Rondella distanziatrice
Spacer washer
Уплотнительное кольцо



| vite screw болт | øB | øD | H | confez. package упак. | codice code код |
|-----------------|------|------|-----|-----------------------|-----------------|
| M5 | 7.7 | 5.3 | 1 | 100 | 36.620.0 |
| G1/8" | 13 | 10.2 | 1.5 | 100 | 36.621.0 |
| G1/4" | 17.9 | 13.4 | 2 | 100 | 36.622.0 |
| G3/8" | 21.8 | 17.1 | 2 | 100 | 36.623.0 |

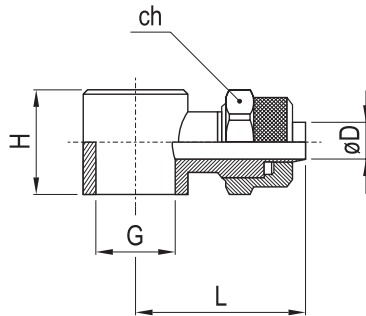
raccordi a calzamento

quick fittings фитинги с накидной гайкой



RZ500

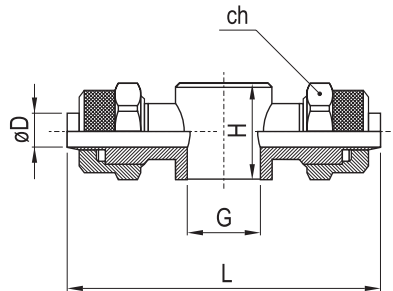
Anello semplice
Single banjo body
Фитинг-серьга к пустотелому болту



| tubo ($\varnothing D$) tube трубка | vite (G) screw болт | H | L | ch | confez. package упак. | codice code код |
|--------------------------------------------|---------------------------|------|------|----|-----------------------------|-----------------------|
| 4/2.7 | M5 | 9 | 15.8 | 8 | 50 | 36.583.0 |
| 6/4 | M5 | 9 | 18 | 9 | 50 | 36.587.0 |
| 6/4 | G1/8" | 14.5 | 24 | 12 | 50 | 36.588.0 |
| 6/4 | G1/4" | 14.5 | 26 | 12 | 50 | 36.589.0 |
| 8/6 | G1/8" | 14.5 | 24 | 14 | 50 | 36.591.0 |
| 8/6 | G1/4" | 14.5 | 26 | 14 | 50 | 36.592.0 |
| 10/8 | G1/4" | 14.5 | 27.5 | 16 | 25 | 36.594.0 |

RZ510

Anello doppio
Double banjo body
Двойная фитинг-серьга к пустотелому болту



| tubo ($\varnothing D$) tube трубка | vite (G) screw болт | H | L | ch | confez. package упак. | codice code код |
|--------------------------------------------|---------------------------|------|----|----|-----------------------------|-----------------------|
| 6/4 | G1/8" | 14.5 | 48 | 12 | 50 | 36.601.0 |
| 6/4 | G1/4" | 14.5 | 52 | 12 | 50 | 36.602.0 |
| 8/6 | G1/8" | 14.5 | 48 | 14 | 50 | 36.604.0 |
| 8/6 | G1/4" | 14.5 | 52 | 14 | 50 | 36.605.0 |
| 10/8 | G1/4" | 14.5 | 55 | 16 | 25 | 36.607.0 |

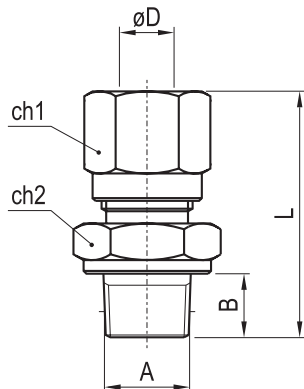
raccordi a ogiva bicono

compression fittings универсальные обжимные фитинги



RB100

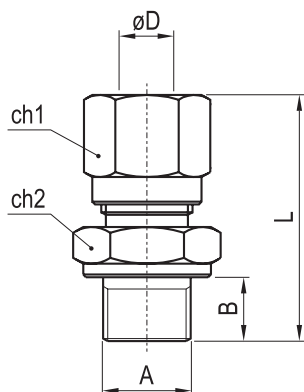
Raccordo diritto maschio conico
Straight male fitting, with conic thread
Фитинг прямой с конической резьбой



| tubo (øD) tube трубка | A | B | L | ch1 | ch2 | confez. package упак. | codice code код |
|-----------------------------|-------|------|------|-----|-----|-----------------------------|-----------------------|
| 4 | R1/8" | 8 | 27 | 10 | 10 | 50 | 36.1200.0 |
| 6 | R1/8" | 8 | 28 | 12 | 12 | 50 | 36.1201.0 |
| 6 | R1/4" | 11 | 32.5 | 12 | 14 | 50 | 36.1202.0 |
| 8 | R1/8" | 8 | 29.5 | 14 | 12 | 50 | 36.1203.0 |
| 8 | R1/4" | 11 | 33 | 14 | 14 | 50 | 36.1204.0 |
| 8 | R3/8" | 11.5 | 33 | 14 | 17 | 50 | 36.1205.0 |
| 10 | R1/4" | 11 | 37.5 | 19 | 17 | 50 | 36.1206.0 |
| 10 | R3/8" | 11.5 | 38 | 19 | 17 | 50 | 36.1207.0 |
| 10 | R1/2" | 14 | 40.5 | 19 | 22 | 25 | 36.1208.0 |
| 12 | R3/8" | 11.5 | 39 | 22 | 19 | 25 | 36.1209.0 |
| 12 | R1/2" | 14 | 41 | 22 | 22 | 25 | 36.1210.0 |
| 14 | R1/2" | 14 | 42.5 | 27 | 22 | 20 | 36.1211.0 |

RB120

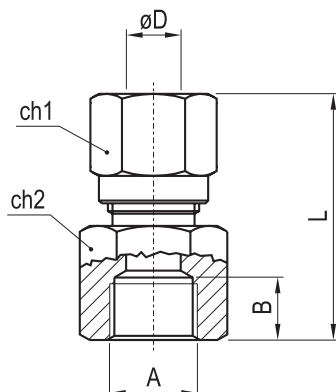
Raccordo diritto maschio cilindrico
Straight male fitting, with cylindric thread
Фитинг прямой с цилиндрической резьбой



| tubo (øD) tube трубка | A | B | L | ch1 | ch2 | confez. package упак. | codice code код |
|-----------------------------|-------|---|------|-----|-----|-----------------------------|-----------------------|
| 4 | G1/8" | 6 | 25 | 10 | 14 | 50 | 36.1212.0 |
| 6 | G1/8" | 6 | 26 | 12 | 14 | 50 | 36.1213.0 |
| 6 | G1/4" | 8 | 29.5 | 12 | 17 | 50 | 36.1214.0 |
| 8 | G1/8" | 6 | 27.5 | 14 | 14 | 50 | 36.1215.0 |
| 8 | G1/4" | 8 | 30 | 14 | 17 | 50 | 36.1216.0 |
| 8 | G3/8" | 9 | 30.5 | 14 | 19 | 50 | 36.1217.0 |
| 10 | G1/4" | 8 | 34.5 | 19 | 17 | 50 | 36.1218.0 |
| 10 | G3/8" | 9 | 36 | 19 | 19 | 50 | 36.1219.0 |

RB130

Raccordo diritto femmina
Straight female fitting
Фитинг прямой с внутренней цилиндрической резьбой



| tubo (øD) tube трубка | A | B | L | ch1 | ch2 | confez. package упак. | codice code код |
|-----------------------------|-------|------|------|-----|-----|-----------------------------|-----------------------|
| 4 | G1/8" | 8 | 24.5 | 10 | 14 | 50 | 36.1220.0 |
| 6 | G1/8" | 8 | 26 | 12 | 14 | 50 | 36.1221.0 |
| 6 | G1/4" | 11 | 30.5 | 12 | 17 | 50 | 36.1222.0 |
| 8 | G1/8" | 8 | 26.5 | 14 | 14 | 50 | 36.1223.0 |
| 8 | G1/4" | 11 | 31 | 14 | 17 | 50 | 36.1224.0 |
| 8 | G3/8" | 11.5 | 31 | 14 | 20 | 50 | 36.1225.0 |
| 10 | G1/4" | 11 | 35.5 | 19 | 17 | 50 | 36.1226.0 |
| 10 | G3/8" | 11.5 | 36.5 | 19 | 20 | 50 | 36.1227.0 |
| 12 | G3/8" | 11.5 | 37 | 22 | 20 | 25 | 36.1228.0 |
| 12 | G1/2" | 15 | 38.5 | 22 | 24 | 25 | 36.1229.0 |
| 14 | G1/2" | 15 | 40 | 27 | 24 | 20 | 36.1230.0 |

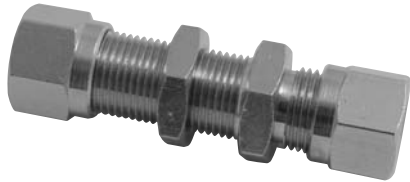
raccordi a ogiva bicono

compression fittings универсальные обжимные фитинги

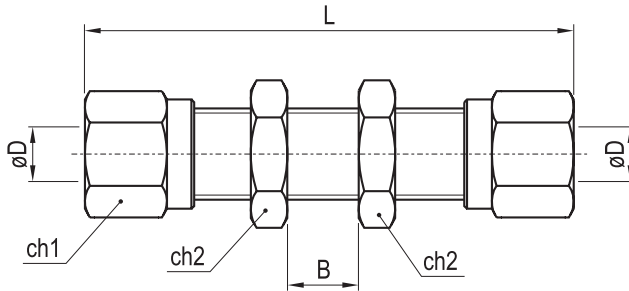


RB150

Raccordo diritto intermedio passaparete
Intermediate straight connector for panel mounting
Фитинг-соединитель прямой с монтажной резьбой на корпусе и гайками

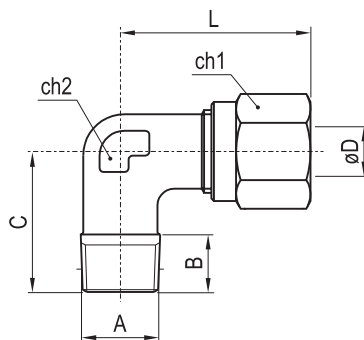


| tubo (øD) tube трубка | B max | L | ch1 | ch2 | confez. package упак. | codice code код |
|-----------------------------|----------|------|-----|-----|-----------------------------|-----------------------|
| 6 | 15.5 | 51.5 | 12 | 14 | 50 | 36.1231.0 |
| 8 | 16.5 | 55.5 | 14 | 16 | 50 | 36.1232.0 |
| 10 | 15.5 | 62.5 | 19 | 19 | 50 | 36.1233.0 |
| 12 | 16 | 64.5 | 22 | 22 | 20 | 36.1234.0 |
| 14 | 18 | 69.5 | 27 | 25 | 20 | 36.1235.0 |



RB210

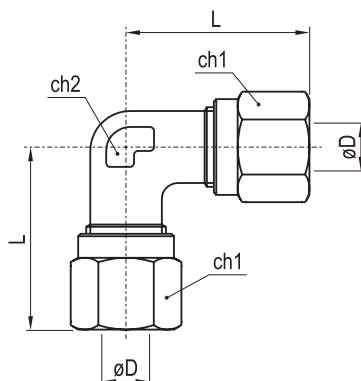
Raccordo a L maschio conico
L-fitting with conic thread
L-образный фитинг с наружной конической резьбой



| tubo (øD) tube трубка | A | B | C | L | ch1 | ch2 | confez. package упак. | codice code код |
|-----------------------------|-------|------|------|------|-----|-----|-----------------------------|-----------------------|
| 4 | R1/8" | 8 | 16 | 21 | 10 | 9 | 50 | 36.1253.0 |
| 6 | R1/8" | 8 | 16 | 22 | 12 | 9 | 50 | 36.1254.0 |
| 6 | R1/4" | 11 | 20 | 24.5 | 12 | 11 | 50 | 36.1255.0 |
| 8 | R1/8" | 8 | 17 | 24 | 14 | 11 | 50 | 36.1256.0 |
| 8 | R1/4" | 11 | 20 | 24 | 14 | 11 | 50 | 36.1257.0 |
| 8 | R3/8" | 11.5 | 24 | 27 | 14 | 13 | 50 | 36.1258.0 |
| 10 | R1/4" | 11 | 23.5 | 32 | 19 | 13 | 50 | 36.1259.0 |
| 10 | R3/8" | 11.5 | 24 | 32 | 19 | 13 | 50 | 36.1260.0 |
| 12 | R3/8" | 11.5 | 25.5 | 34.5 | 22 | 15 | 25 | 36.1261.0 |
| 12 | R1/2" | 14 | 28.5 | 34.5 | 22 | 15 | 25 | 36.1262.0 |
| 14 | R1/2" | 14 | 30 | 38 | 27 | 17 | 20 | 36.1263.0 |

RB230

Raccordo a L intermedio
Intermediate elbow connector
L-образный фитинг-соединитель



| tubo (øD) tube трубка | L | ch1 | ch2 | confez. package упак. | codice code код |
|-----------------------------|------|-----|-----|-----------------------------|-----------------------|
| 4 | 21 | 10 | 9 | 50 | 36.1264.0 |
| 6 | 23 | 12 | 9 | 50 | 36.1265.0 |
| 8 | 24 | 14 | 11 | 50 | 36.1266.0 |
| 10 | 32 | 19 | 13 | 50 | 36.1267.0 |
| 12 | 34.5 | 22 | 15 | 20 | 36.1268.0 |
| 14 | 38 | 27 | 17 | 20 | 36.1269.0 |

raccordi a ogiva bicono

compression fittings универсальные обжимные фитинги

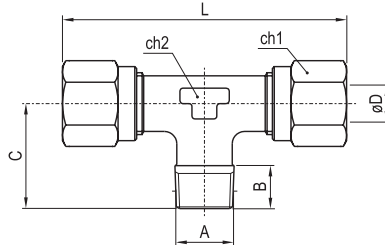


RB300

Raccordo a T maschio conico

T-fitting with conic thread

Т-образный фитинг с наружной конической резьбой



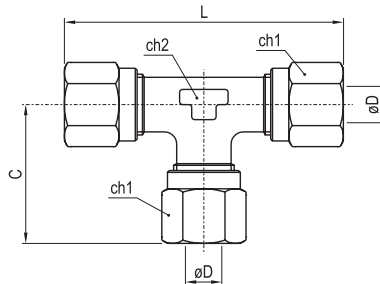
| tubo (øD) tube трубка | A | B | C | L | ch1 | ch2 | confez. package упак. | codice code код |
|-----------------------------|-------|------|------|----|-----|-----|-----------------------------|-----------------------|
| 4 | R1/8" | 8 | 16 | 42 | 10 | 9 | 50 | 36.1236.0 |
| 6 | R1/8" | 8 | 16 | 46 | 12 | 9 | 50 | 36.1237.0 |
| 6 | R1/4" | 11 | 20 | 48 | 12 | 11 | 50 | 36.1238.0 |
| 8 | R1/8" | 8 | 17 | 48 | 14 | 11 | 50 | 36.1239.0 |
| 8 | R1/4" | 11 | 20 | 48 | 14 | 11 | 50 | 36.1240.0 |
| 8 | R3/8" | 11.5 | 24 | 54 | 14 | 13 | 50 | 36.1241.0 |
| 10 | R1/4" | 11 | 23.5 | 64 | 19 | 13 | 25 | 36.1242.0 |
| 10 | R3/8" | 11.5 | 24 | 64 | 19 | 13 | 25 | 36.1243.0 |
| 12 | R3/8" | 11.5 | 25.5 | 69 | 22 | 15 | 20 | 36.1244.0 |
| 12 | R1/2" | 14 | 28.5 | 69 | 22 | 15 | 20 | 36.1245.0 |
| 14 | R1/2" | 14 | 30 | 76 | 27 | 17 | 20 | 36.1246.0 |

RB330

Raccordo a T intermedio

Intermediate T-connector

Т-образный фитинг-соединитель



| tubo (øD) tube трубка | C | L | ch1 | ch2 | confez. package упак. | codice code код |
|-----------------------------|------|----|-----|-----|-----------------------------|-----------------------|
| 4 | 21 | 42 | 10 | 9 | 50 | 36.1247.0 |
| 6 | 23 | 46 | 12 | 9 | 50 | 36.1248.0 |
| 8 | 24 | 48 | 14 | 11 | 50 | 36.1249.0 |
| 10 | 32 | 64 | 19 | 13 | 25 | 36.1250.0 |
| 12 | 34.5 | 69 | 22 | 15 | 20 | 36.1251.0 |
| 14 | 38 | 76 | 27 | 17 | 10 | 36.1252.0 |

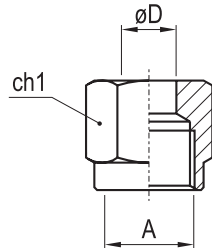
raccordi a ogiva bicono

compression fittings универсальные обжимные фитинги



RB700

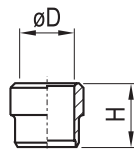
Dado di serraggio
Locking nut
Гайка



| tubo (øD) tube трубка | A | ch1 | confez. package упак. | codice code код |
|-----------------------------|---------|-----|-----------------------------|-----------------------|
| 4 | M8x1 | 10 | 50 | 36.1270.0 |
| 6 | M10x1 | 12 | 50 | 36.1271.0 |
| 8 | M12x1 | 14 | 50 | 36.1272.0 |
| 10 | M16x1.5 | 19 | 25 | 36.1273.0 |
| 12 | M18x1.5 | 22 | 20 | 36.1274.0 |
| 14 | M22x1.5 | 27 | 10 | 36.1275.0 |

RB710

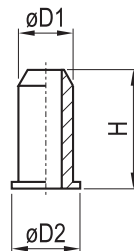
Ogiva
Ogive
Обжимная втулка



| tubo (øD) tube трубка | H | confez. package упак. | codice code код |
|-----------------------------|----|-----------------------------|-----------------------|
| 4 | 6 | 50 | 36.1276.0 |
| 6 | 7 | 50 | 36.1277.0 |
| 8 | 7 | 50 | 36.1278.0 |
| 10 | 10 | 25 | 36.1279.0 |
| 12 | 10 | 20 | 36.1280.0 |
| 14 | 10 | 10 | 36.1281.0 |

RB720

Anima rinforzo
Internal support
Поддерживающая втулка



| tubo tube трубка | øD1 | øD2 | H | confez. package упак. | codice code код |
|------------------------|-----|------|----|-----------------------------|-----------------------|
| 4 | 2.5 | 3.5 | 10 | 50 | 36.1282.0 |
| 6 | 4 | 5.5 | 12 | 50 | 36.1283.0 |
| 8 | 6 | 7.5 | 13 | 50 | 36.1284.0 |
| 10 | 8 | 9.5 | 14 | 25 | 36.1285.0 |
| 12 | 10 | 11.5 | 16 | 20 | 36.1286.0 |
| 14 | 12 | 13.5 | 16 | 10 | 36.1287.0 |

innesti rapidi

quick couplings быстроразъёмные муфты с самозапираанием

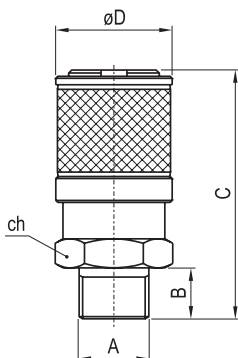


profilo
profile
стандарт

MIGNON

RR111

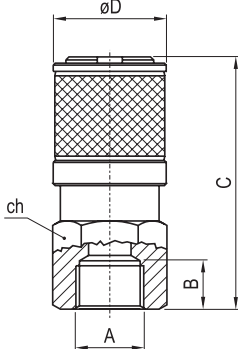
Presca con attacco maschio
Male socket
Муфта с наружной резьбой



| A | B | C | øD | ch | confez. package упак. | codice code код |
|-------|---|------|----|----|-----------------------------|-----------------------|
| G1/8" | 6 | 35.5 | 18 | 16 | 10 | AU.213.0 |
| G1/4" | 8 | 37.5 | 18 | 16 | 10 | AU.214.0 |
| G3/8" | 9 | 38.5 | 18 | 19 | 10 | 36.1290.0 |

RR112

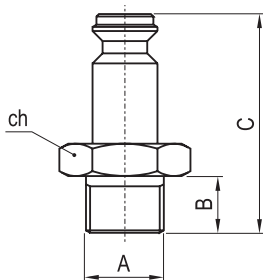
Presca con attacco femmina
Female socket
Муфта с внутренней резьбой



| A | B | C | øD | ch | confez. package упак. | codice code код |
|-------|------|------|----|----|-----------------------------|-----------------------|
| G1/8" | 7.5 | 35 | 18 | 16 | 10 | AU.226.0 |
| G1/4" | 11 | 38.5 | 18 | 16 | 10 | AU.227.0 |
| G3/8" | 11.5 | 39 | 18 | 19 | 10 | 36.1293.0 |

RR211

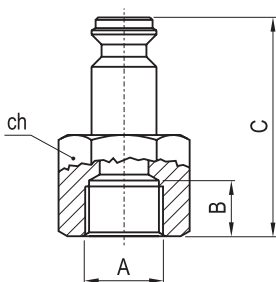
Innesto con attacco maschio
Male plug
Штекер с наружной резьбой



| A | B | C | ch | confez. package упак. | codice code код |
|-------|---|------|----|-----------------------------|-----------------------|
| G1/8" | 6 | 26 | 14 | 25 | AU.219.0 |
| G1/4" | 8 | 28.5 | 17 | 25 | AU.220.0 |
| G3/8" | 9 | 29.5 | 19 | 25 | 36.1296.0 |

RR212

Innesto con attacco femmina
Female plug
Штекер с внутренней резьбой



| A | B | C | ch | confez. package упак. | codice code код |
|-------|------|------|----|-----------------------------|-----------------------|
| G1/8" | 7.5 | 25 | 14 | 25 | AU.230.0 |
| G1/4" | 11 | 28.5 | 17 | 25 | AU.231.0 |
| G3/8" | 11.5 | 29 | 19 | 25 | 36.1299.0 |

innesti rapidi

quick couplings быстроразъёмные муфты с самозапиранием

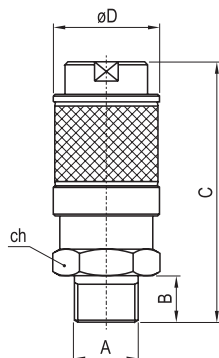


profilo
profile
стандарт

UNI ISO 6150 B-12

RR121

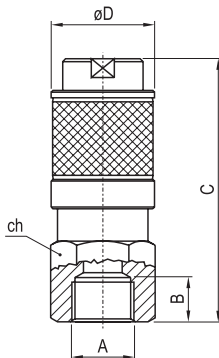
Presca con attacco maschio
Male socket
Муфта с наружной резьбой



| A | B | C | øD | ch | confez. package упак. | codice code код |
|-------|----|----|----|----|-----------------------------|-----------------------|
| G1/4" | 8 | 53 | 24 | 21 | 10 | 36.1300.0 |
| G3/8" | 9 | 54 | 24 | 21 | 10 | 36.1301.0 |
| G1/2" | 10 | 55 | 24 | 24 | 10 | AU.192.0 |

RR122

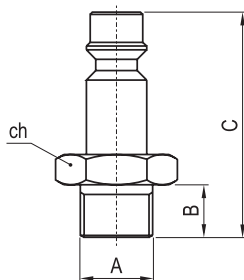
Presca con attacco femmina
Female socket
Муфта с внутренней резьбой



| A | B | C | øD | ch | confez. package упак. | codice code код |
|-------|------|------|----|----|-----------------------------|-----------------------|
| G1/4" | 11 | 55 | 24 | 21 | 10 | AU.133.0 |
| G3/8" | 11.5 | 55.5 | 24 | 21 | 10 | AU.134.0 |
| G1/2" | 14 | 59 | 24 | 24 | 10 | AU.135.0 |

RR221

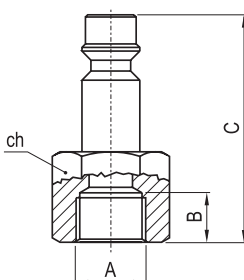
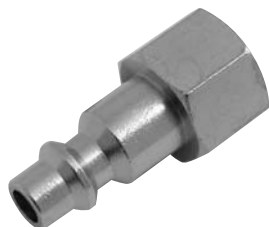
Innesto con attacco maschio
Male plug
Штекер с наружной резьбой



| A | B | C | ch | confez. package упак. | codice code код |
|-------|----|------|----|-----------------------------|-----------------------|
| G1/4" | 8 | 36.5 | 17 | 25 | 36.1306.0 |
| G3/8" | 9 | 37.5 | 19 | 25 | 36.1307.0 |
| G1/2" | 10 | 39 | 24 | 25 | 36.1308.0 |

RR222

Innesto con attacco femmina
Female plug
Штекер с внутренней резьбой



| A | B | C | ch | confez. package упак. | codice code код |
|-------|------|------|----|-----------------------------|-----------------------|
| G1/4" | 11 | 36.5 | 17 | 25 | AU.136.0 |
| G3/8" | 11.5 | 37 | 19 | 25 | AU.137.0 |
| G1/2" | 14 | 39.5 | 24 | 25 | AU.138.0 |

innesti rapidi

quick couplings быстроразъёмные муфты с самозапиранием

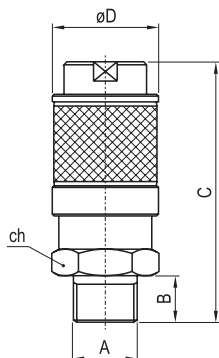


profilo
profile
стандарт

ITALIANO *italian* ИТАЛЬЯНСКИЙ

RR121

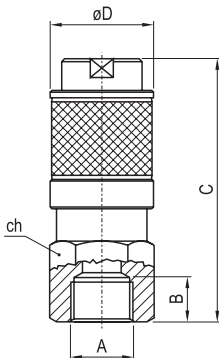
Presca con attacco maschio
Male socket
Муфта с наружной резьбой



| A | B | C | øD | ch | confez. package упак. | codice code код |
|-------|----|----|----|----|-----------------------------|-----------------------|
| G1/4" | 8 | 53 | 24 | 21 | 10 | 36.1300.0 |
| G3/8" | 9 | 54 | 24 | 21 | 10 | 36.1301.0 |
| G1/2" | 10 | 55 | 24 | 24 | 10 | AU.192.0 |

RR122

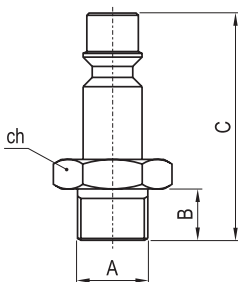
Presca con attacco femmina
Female socket
Муфта с внутренней резьбой



| A | B | C | øD | ch | confez. package упак. | codice code код |
|-------|------|------|----|----|-----------------------------|-----------------------|
| G1/4" | 11 | 55 | 24 | 21 | 10 | AU.133.0 |
| G3/8" | 11.5 | 55.5 | 24 | 21 | 10 | AU.134.0 |
| G1/2" | 14 | 59 | 24 | 24 | 10 | AU.135.0 |

RR251

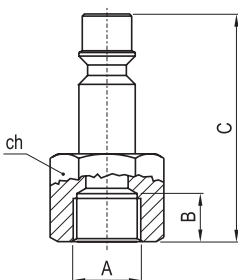
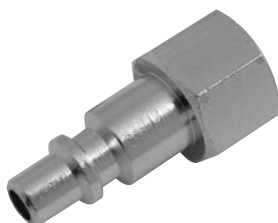
Innesto con attacco maschio
Male plug
Штекер с наружной резьбой



| A | B | C | ch | confez. package упак. | codice code код |
|-------|----|------|----|-----------------------------|-----------------------|
| G1/4" | 8 | 38 | 17 | 25 | 36.1312.0 |
| G3/8" | 9 | 39 | 19 | 25 | 36.1313.0 |
| G1/2" | 10 | 40.5 | 24 | 25 | 36.1314.0 |

RR252

Innesto con attacco femmina
Female plug
Штекер с внутренней резьбой



| A | B | C | ch | confez. package упак. | codice code код |
|-------|------|------|----|-----------------------------|-----------------------|
| G1/4" | 11 | 38 | 17 | 25 | 36.1315.0 |
| G3/8" | 11.5 | 38.5 | 19 | 25 | 36.1316.0 |
| G1/2" | 14 | 41 | 24 | 25 | 36.1317.0 |

innesti rapidi

quick couplings быстроразъёмные муфты с самозапиранием

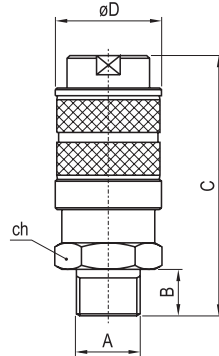


profilo
profile
стандарт

TEDESCO *german* немецкий

RR161

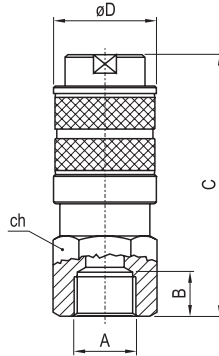
Presca con attacco maschio
Male socket
Муфта с наружной резьбой



| A | B | C | øD | ch | confez. package упак. | codice code код |
|-------|----|----|----|----|-----------------------------|-----------------------|
| G1/4" | 8 | 50 | 24 | 21 | 10 | AU.151.0 |
| G3/8" | 9 | 54 | 24 | 21 | 10 | AU.105.0 |
| G1/2" | 10 | 55 | 24 | 24 | 10 | AU.110.0 |

RR162

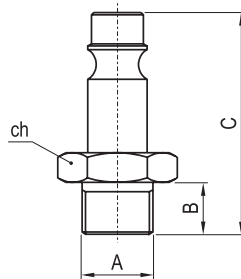
Presca con attacco femmina
Female socket
Муфта с внутренней резьбой



| A | B | C | øD | ch | confez. package упак. | codice code код |
|-------|------|------|----|----|-----------------------------|-----------------------|
| G1/4" | 11 | 52 | 24 | 21 | 10 | AU.109.0 |
| G3/8" | 11.5 | 52.5 | 24 | 21 | 10 | AU.119.0 |
| G1/2" | 14 | 56 | 24 | 24 | 10 | AU.163.0 |

RR261

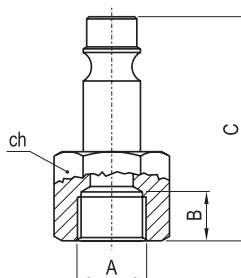
Innesto con attacco maschio
Male plug
Штекер с наружной резьбой



| A | B | C | ch | confez. package упак. | codice code код |
|-------|----|------|----|-----------------------------|-----------------------|
| G1/4" | 8 | 33 | 17 | 25 | AU.148.0 |
| G3/8" | 9 | 34 | 19 | 25 | AU.150.0 |
| G1/2" | 10 | 35.5 | 24 | 25 | AU.108.0 |

RR262

Innesto con attacco femmina
Female plug
Штекер с внутренней резьбой



| A | B | C | ch | confez. package упак. | codice code код |
|-------|------|------|----|-----------------------------|-----------------------|
| G1/4" | 11 | 33 | 17 | 25 | AU.205.0 |
| G3/8" | 11.5 | 33.5 | 19 | 25 | AU.121.0 |
| G1/2" | 14 | 36 | 24 | 25 | AU.235.0 |

valvole a sfera

ball valves краны шаровые 2/2



VS100

Minivalvola a sfera F/F

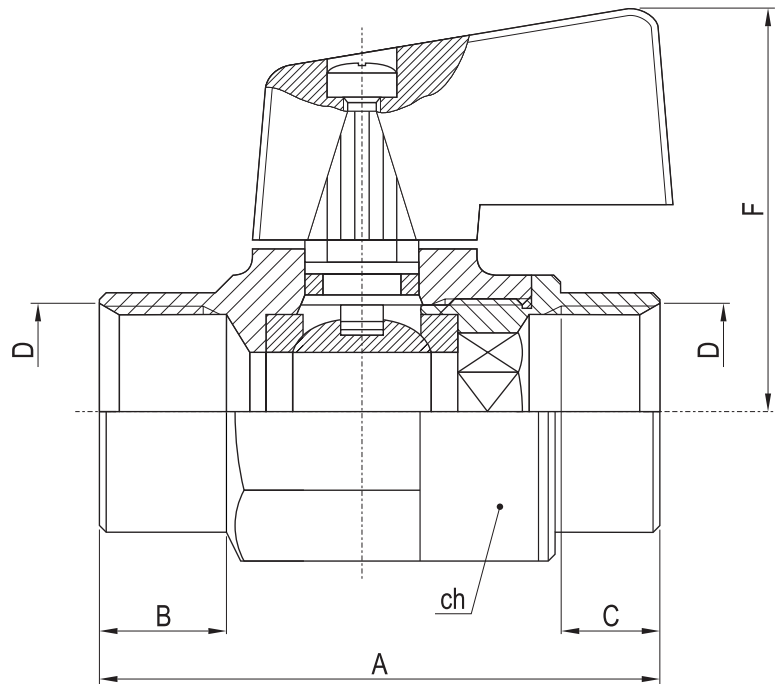
Female-female mini ball valve

Мини-кран с двумя внутренними резьбами

leva: azzurra
knob: light blue
рукоятка: синяя



| D | A | B | C | F | ch | confez. package упак. | codice code КОД |
|-------|------|----|----|----|----|-----------------------|-----------------|
| G1/8" | 39.5 | 10 | 8 | 27 | 14 | 5 | 36.654.0 |
| G1/4" | 44.5 | 11 | 10 | 27 | 14 | 5 | 36.655.0 |



VS110

Minivalvola a sfera M/F

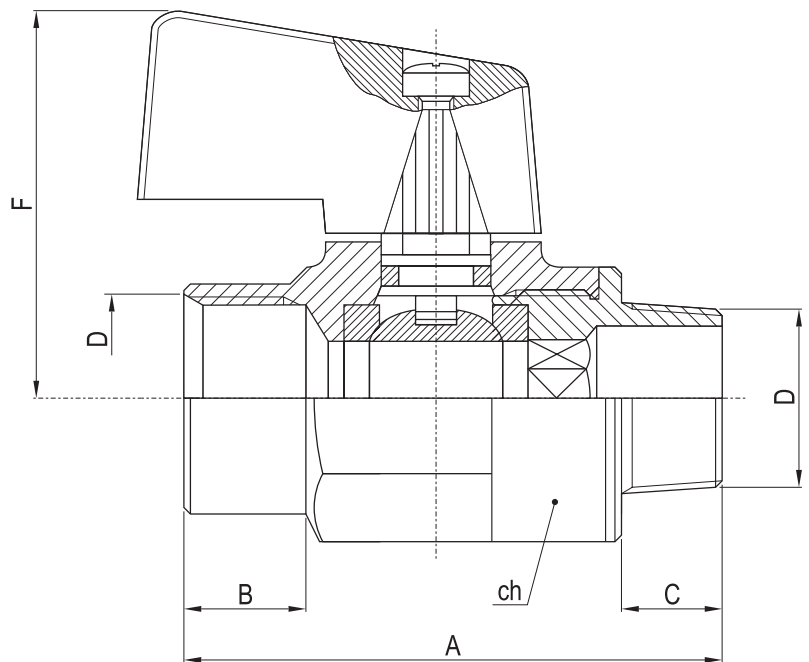
Male-female mini ball valve

Мини-кран с одной внутренней и одной наружной резьбой

leva: azzurra
knob: light blue
рукоятка: синяя



| D | A | B | C | F | ch | confez. package упак. | codice code КОД |
|-------|------|----|-----|----|----|-----------------------|-----------------|
| G1/8" | 39 | 10 | 7.5 | 27 | 14 | 5 | 36.656.0 |
| G1/4" | 44.5 | 11 | 11 | 27 | 14 | 5 | 36.657.0 |



valvole a sfera

ball valves краны шаровые 2/2



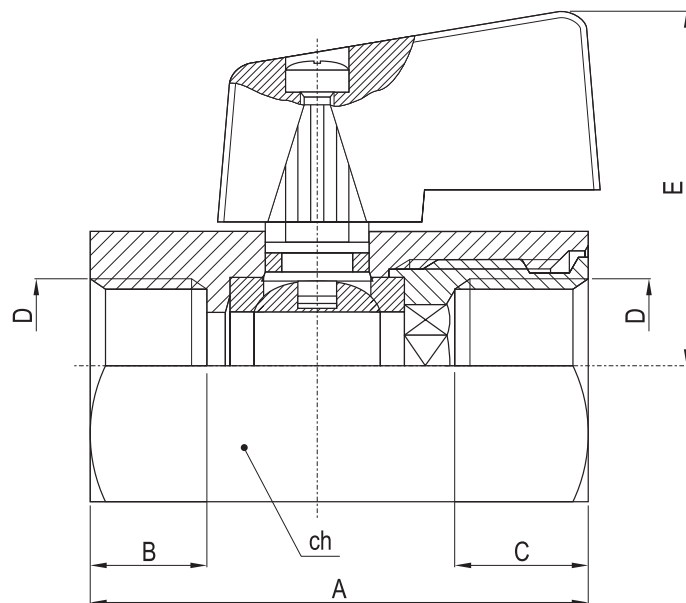
VS400

Valvola a sfera F/F barra esagonale
Female-female ball valve with hexagonal body
Кран с двумя внутренними резьбами и шестигранным корпусом

leva: nera
knob: black
рукоятка: чёрная



| D | A | B | C | E | ch | confez. package упак. | codice code КОД |
|-------|----|------|------|------|----|-----------------------|-----------------|
| G1/8" | 39 | 9 | 10.5 | 27.5 | 21 | 5 | 36.646.0 |
| G1/4" | 39 | 9 | 10.5 | 27.5 | 21 | 5 | 36.647.0 |
| G3/8" | 42 | 12 | 9.9 | 27.5 | 21 | 5 | 36.648.0 |
| G1/2" | 47 | 12.3 | 10.6 | 29.5 | 25 | 5 | 36.649.0 |



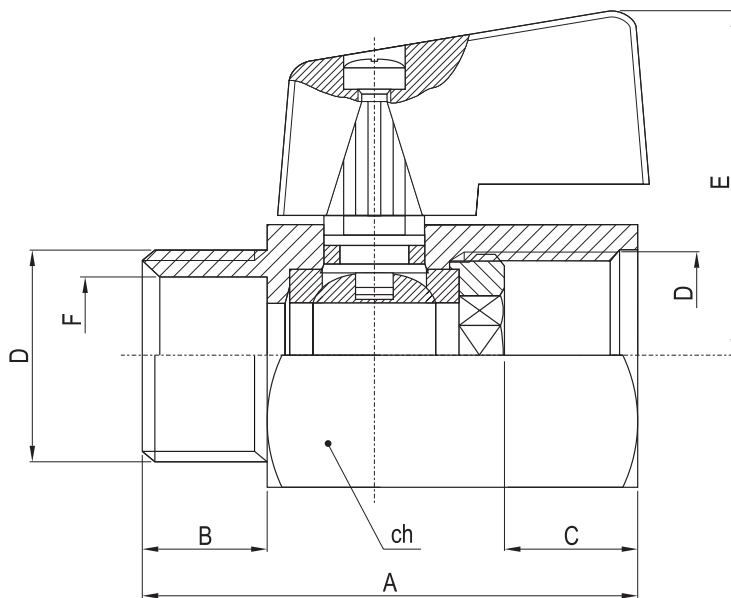
VS405

Valvola a sfera M/F barra esagonale
Male-female ball valve with hexagonal body
Кран с одной внутренней и одной наружной резьбой. Шестигранный корпус

leva: nera
knob: black
рукоятка: чёрная



| D | A | B | C | E | F | ch | confez. package упак. | codice code КОД |
|-------|----|------|------|------|------|----|-----------------------|-----------------|
| G1/8" | 39 | 8 | 10.5 | 27.5 | 6.1 | 21 | 5 | 36.650.0 |
| G1/4" | 39 | 9 | 10.5 | 27.5 | 8.2 | 21 | 5 | 36.651.0 |
| G3/8" | 40 | 10 | 9.9 | 27.5 | 12.2 | 21 | 5 | 36.652.0 |
| G1/2" | 45 | 12.2 | 10.6 | 29.5 | 15.2 | 25 | 5 | 36.653.0 |



collettori

distribution manifolds КОЛЛЕКТОРЫ

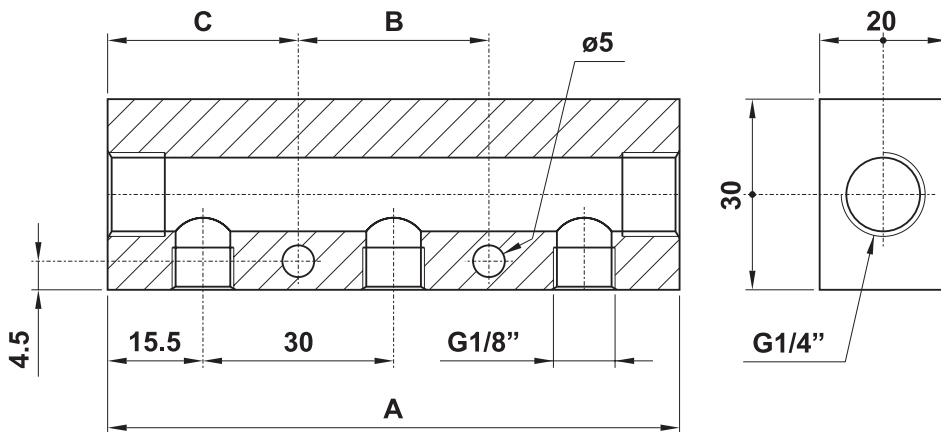


- Collettori lineari con uscite G1/8" o G1/4"
In-line manifolds with G1/8" or G1/4" user ports
Линейные коллекторы G1/8" и G1/4"
- Blocchetti a 4 fori
Four port manifolds
Крестовые коллекторы
- Materiale: alluminio anodizzato
Material: aluminium (anodize treatment)
Материал: анодированный алюминий



collettori 1/8" con foro passante 1/4"

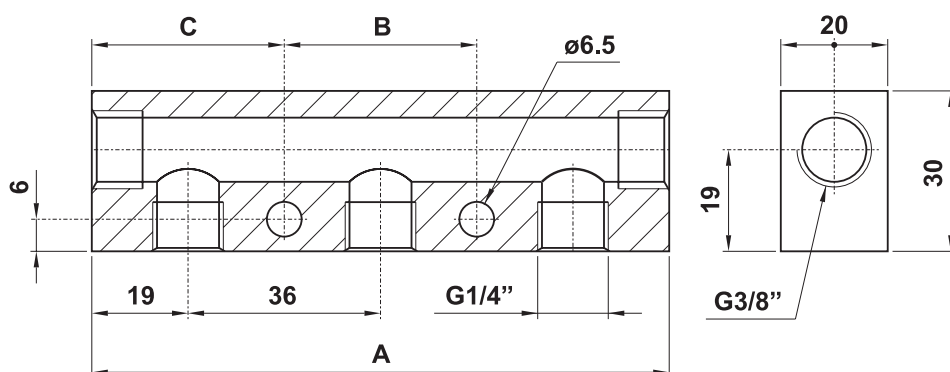
in-line manifolds with 1/8" user ports and 1/4" feed ports



| modello model | n. fori no. ports | A | B | C |
|------------------|----------------------|-----|-----|------|
| AU.002.1 | 2 | 61 | 50 | 5.5 |
| AU.003.1 | 3 | 91 | 30 | 30.5 |
| AU.004.1 | 4 | 121 | 60 | 30.5 |
| AU.005.1 | 5 | 151 | 90 | 30.5 |
| AU.006.1 | 6 | 181 | 120 | 30.5 |

collettori 1/4" con foro passante 3/8"

in-line manifolds with 1/4" user ports and 3/8" feed ports



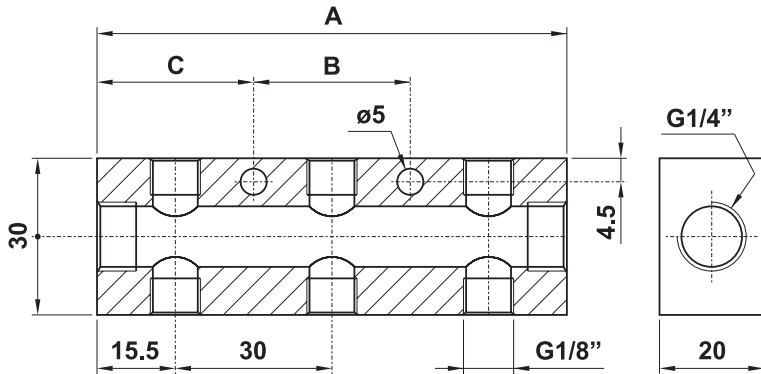
| modello model | n. fori no. ports | A | B | C |
|------------------|----------------------|-----|-----|-----|
| AU.011.1 | 2 | 74 | 61 | 6.5 |
| AU.013.1 | 3 | 110 | 36 | 37 |
| AU.014.1 | 4 | 146 | 72 | 37 |
| AU.015.1 | 5 | 182 | 108 | 37 |
| AU.016.1 | 6 | 218 | 144 | 37 |

collettori

distribution manifolds КОЛЛЕКТОРЫ

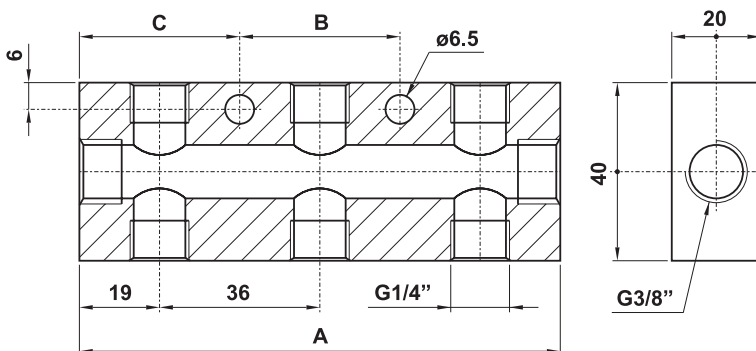


collettori doppi 1/8" con foro passante 1/4" in-line double manifolds with 1/8" user ports and 1/4" feed ports



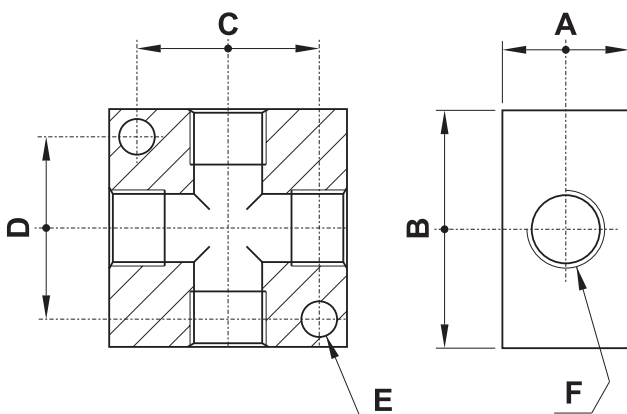
| modello model | n. fori no. ports | A | B | C |
|------------------|----------------------|-----|----|------|
| AU.000.1 | 2 | 61 | 50 | 5.5 |
| AU.001.1 | 3 | 91 | 30 | 30.5 |
| AU.008.1 | 4 | 121 | 60 | 30.5 |
| AU.009.1 | 5 | 151 | 90 | 30.5 |

collettori doppi 1/4" con foro passante 3/8" in-line double manifolds with 1/4" user ports and 3/8" feed ports



| modello model | n. fori no. ports | A | B | C |
|------------------|----------------------|-----|-----|-----|
| AU.022.1 | 2 | 74 | 61 | 6.5 |
| AU.023.1 | 3 | 110 | 36 | 37 |
| AU.024.1 | 4 | 146 | 72 | 37 |
| AU.025.1 | 5 | 182 | 108 | 37 |
| AU.027.1 | 6 | 218 | 144 | 37 |

blocchetti 4 fori four port manifolds



| modello model | A | B | C | D | E | F |
|------------------|----|----|----|----|-----|-------|
| AU.017.1 | 10 | 20 | 12 | 12 | 4.5 | M5 |
| AU.018.1 | 16 | 30 | 23 | 22 | 4.5 | G1/8" |
| AU.019.1 | 20 | 40 | 30 | 27 | 5.5 | G1/4" |
| AU.021.1 | 25 | 50 | 38 | 39 | 6.5 | G3/8" |
| AU.020.1 | 25 | 50 | 38 | 39 | 6.5 | G1/2" |

silenziatori

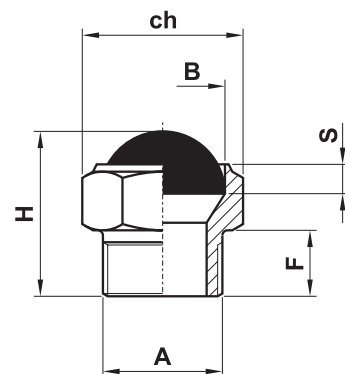
silencers Глушители шума



AZ-SFE

Глушитель с проволочной набивкой

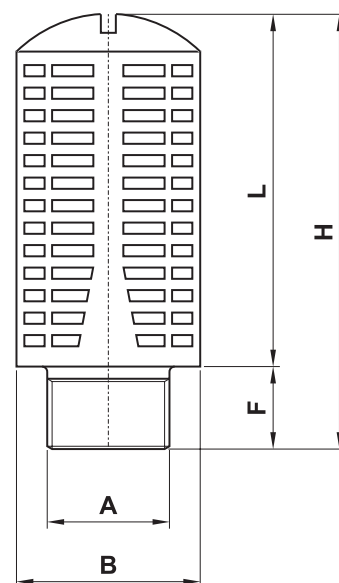
| modello model | A | B | ch | S | F | H |
|------------------|-------|------|----|---|-----|----|
| AZ-SFE1 | M5 | ø6.5 | 8 | 3 | 3.5 | 8 |
| AZ-SFE2 | G1/8" | ø11 | 13 | 4 | 6 | 16 |
| AZ-SFE3 | G1/4" | ø14 | 16 | 4 | 8 | 19 |
| AZ-SFE4 | G3/8" | ø17 | 19 | 4 | 9 | 21 |
| AZ-SFE5 | G1/2" | ø22 | 24 | 4 | 10 | 23 |



AZ-SPL

Динамический глушитель

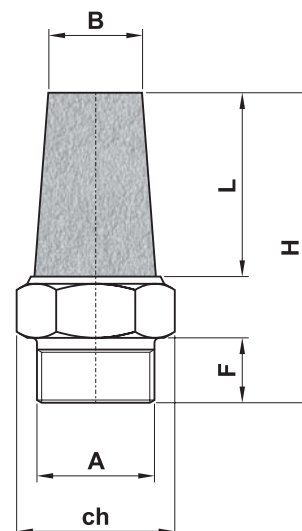
| modello model | A | B | F | L | H |
|------------------|-------|-------|----|------|------|
| AZ-SPL2 | G1/8" | ø15 | 6 | 26.5 | 32.5 |
| AZ-SPL3 | G1/4" | ø19.5 | 8 | 35 | 43 |
| AZ-SPL4 | G3/8" | ø24.5 | 11 | 47 | 58 |
| AZ-SPL5 | G1/2" | ø24.5 | 11 | 47 | 58 |



AZ-SE

Глушитель металлокерамический

| modello model | A | B | ch | F | L | H |
|------------------|-------|-----|----|----|------|----|
| AZ-SE1 | M5 | ø5 | 8 | 4 | 14 | 22 |
| AZ-SE2 | G1/8" | ø7 | 13 | 6 | 16 | 29 |
| AZ-SE3 | G1/4" | ø9 | 16 | 8 | 16.5 | 32 |
| AZ-SE4 | G3/8" | ø13 | 19 | 9 | 25.5 | 43 |
| AZ-SE5 | G1/2" | ø16 | 24 | 11 | 33 | 53 |



silenziatori

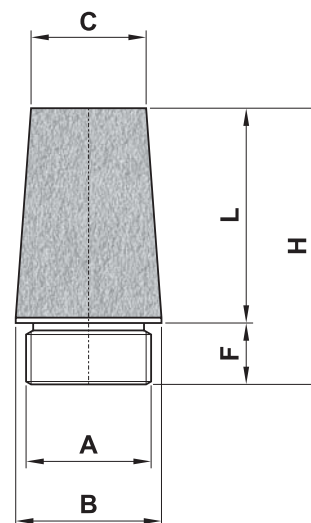
silencers Глушители шума



AZ-SC

Глушитель металлокерамический

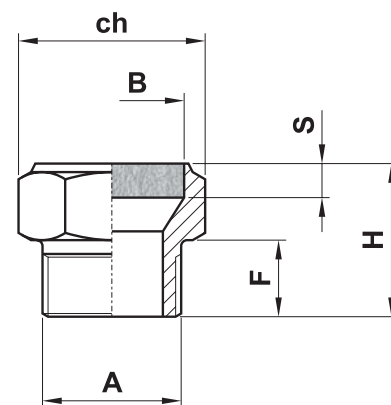
| modello model | A | B | C | F | L | H |
|------------------|-------|-----|-----|-----|-----|----|
| AZ-SC1 | M5 | ø6 | ø5 | 4.5 | 8.5 | 13 |
| AZ-SC2 | G1/8" | ø12 | ø8 | 6 | 15 | 21 |
| AZ-SC3 | G1/4" | ø15 | ø11 | 6 | 19 | 25 |
| AZ-SC4 | G3/8" | ø19 | ø15 | 8 | 28 | 36 |
| AZ-SC5 | G1/2" | ø23 | ø18 | 10 | 33 | 43 |



AZ-SEP

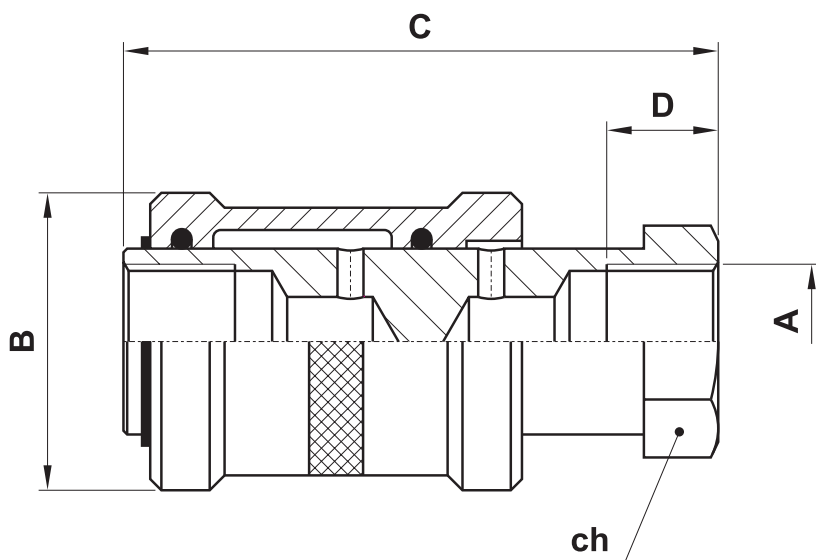
Глушитель металлокерамический

| modello model | A | B | ch | F | S | H |
|------------------|-------|------|----|-----|---|----|
| AZ-SEP1 | M5 | ø6.5 | 8 | 3.5 | 3 | 8 |
| AZ-SEP2 | G1/8" | ø11 | 13 | 6 | 4 | 13 |
| AZ-SEP3 | G1/4" | ø14 | 16 | 8 | 4 | 16 |
| AZ-SEP4 | G3/8" | ø17 | 19 | 9 | 4 | 18 |
| AZ-SEP5 | G1/2" | ø22 | 24 | 11 | 4 | 20 |



valvole a corsoio

slide valves ручной сдвижной 3/2 клапан



| modello model модель | A | B | C | D | ch |
|----------------------------|-------|-----|----|----|----|
| AZ-CRS1 | G1/8" | ø25 | 48 | 10 | 14 |
| AZ-CRS2 | G1/4" | ø30 | 58 | 12 | 17 |
| AZ-CRS3 | G3/8" | ø35 | 68 | 12 | 22 |
| AZ-CRS4 | G1/2" | ø40 | 75 | 15 | 27 |

Materiali

Corpo: ottone OT58

Guarnizioni: NBR

Corsoio: alluminio 11S

Materials

Body: brass OT58

Seals: NBR

Slide: aluminium 11S

Материалы

Корпус: латунь OT58

Уплотнения: резина NBR

Втулка: алюминий 11S

| | |
|----------------------------------------------------------------------|----------------------------------------------------------------------------------------------------------------------------------------------|
| Attacchi Parts Присоединения | G1/8"; G1/4"; G3/8"; G1/2" |
| Temperatura di esercizio Temperature range Рабочая температура | max +60°C |
| Pressione di esercizio Working pressure Рабочее давление | 1 ... 10 bar 0.1 ... 1 MPa |
| Fluido Fluid Рабочая среда | Aria filtrata 50µ con o senza lubrificazione 50µ filtered, lubricated or non lubricated air очищенный сжатый воздух со смазкой или без |

tubi di gomma

tubes трубки



PA11N Tubo RILSAN PA11 - neutro
Tube RILSAN PA11 - neutral
 Трубка RILSAN PA11 - прозрачная

PA11A Tubo RILSAN PA11 - azzurro
Tube RILSAN PA11 - light blue
 Трубка RILSAN PA11 - синяя

| diametro esterno <i>external diameter</i> наружный диам. | diametro interno <i>internal diameter</i> внутренний диам. | pressione di lavoro (a 20°C) <i>working pressure (at 20°C)</i> рабочее давление (при 20°C) | raggio di curvatura <i>bending radius</i> мин. радиус изгиба | confez. <i>package</i> упак. | codice <i>code</i> код | codice <i>code</i> код |
|----------------------------------------------------------------|------------------------------------------------------------------|--------------------------------------------------------------------------------------------------|--------------------------------------------------------------------|------------------------------------|---------------------------------------------------------------|------------------------------|
| 4 | 2 | 66 bar | 20 mm | 100 m | colore <i>colour</i> цвет neutro <i>neutral</i> прозрачный | 36.664.0 |
| 5 | 3 | 50 bar | 25 mm | 100 m | | 36.665.0 |
| 6 | 4 | 40 bar | 35 mm | 100 m | | 36.666.0 |
| 8 | 6 | 29 bar | 40 mm | 100 m | | 36.667.0 |
| 10 | 8 | 18 bar | 60 mm | 100 m | | 36.668.0 |
| 12 | 10 | 17 bar | 85 mm | 100 m | | 36.669.0 |
| 14 | 12 | 15 bar | 90 mm | 100 m | | 36.670.0 |
| 15 | 12 | 20 bar | 90 mm | 100 m | | 36.671.0 |
| | | | | | colore <i>colour</i> цвет azzurro <i>light blue</i> синий | 36.672.0 |
| | | | | | | 36.673.0 |
| | | | | | | 36.674.0 |
| | | | | | | 36.675.0 |
| | | | | | | 36.676.0 |
| | | | | | | 36.677.0 |
| | | | | | | 36.678.0 |
| | | | | | | 36.679.0 |

Scala di correzione della pressione in funzione della temperatura

Pressure adjusting scale related to temperature

Поправочный температурный коэффициент для давления

| +20°C | +30°C | +40°C | +50°C | +70°C | +80°C |
|-------|-------|-------|-------|-------|-------|
| 1 | 0.83 | 0.72 | 0.64 | 0.52 | 0.47 |

Temperatura di lavoro

Working temperature

-40°C ... +80°C

Рабочая температура



PU Tubo poliuretano 98 shore - azzurro
Tube polyurethan 98 shore - light blue
 Полиуретановая трубка 98 shore - синяя

| diametro esterno <i>external diameter</i> наружный диам. | diametro interno <i>internal diameter</i> внутренний диам. | pressione di lavoro (a 20°C) <i>working pressure (at 20°C)</i> рабочее давление (при 20°C) | raggio di curvatura <i>bending radius</i> мин. радиус изгиба | confez. <i>package</i> упак. | codice <i>code</i> код | |
|----------------------------------------------------------------|------------------------------------------------------------------|--------------------------------------------------------------------------------------------------|--------------------------------------------------------------------|------------------------------------|--------------------------------------------------------------|----------|
| 4 | 2 | 25 bar | 20 mm | 100 m | colore <i>colour</i> цвет azzurro <i>light blue</i> синий | |
| 5 | 3 | 20 bar | 25 mm | 100 m | | 36.680.0 |
| 6 | 4 | 18 bar | 30 mm | 100 m | | 36.681.0 |
| 8 | 6 | 10 bar | 40 mm | 100 m | | 36.682.0 |
| 10 | 8 | 8 bar | 50 mm | 100 m | | 36.683.0 |
| 12 | 9 | 9.5 bar | 50 mm | 100 m | | 36.684.0 |
| | | | | | 36.685.0 | |

Scala di correzione della pressione in funzione della temperatura

Pressure adjusting scale related to temperature

Поправочный температурный коэффициент для давления

| +20°C | +30°C | +40°C | +50°C | +60°C |
|-------|-------|-------|-------|-------|
| 1 | 0.83 | 0.72 | 0.64 | 0.47 |

Temperatura di lavoro

Working temperature

-40°C ... +60°C

Рабочая температура

indice alfanumerico ordinato per sigla

ordered by part number указатель номеров для заказа



| sigla part number | codice code | pagina page | sigla part number | codice code | pagina page | sigla part number | codice code | pagina page | sigla part number | codice code | pagina page |
|----------------------|----------------|----------------|----------------------|----------------|----------------|----------------------|----------------|----------------|----------------------|----------------|----------------|
| RZ100 | 8/6 | 3/8 | | | | | | | | | |
| RZ100 | 8/6 | 1/2 | | | | | | | | | |
| RZ100 | 10/8 | 1/8 | | | | | | | | | |
| RZ100 | 10/8 | 1/4 | | | | | | | | | |
| RZ100 | 10/8 | 3/8 | | | | | | | | | |
| RZ100 | 10/8 | 1/2 | | | | | | | | | |
| RZ100 | 12/10 | 3/8 | | | | | | | | | |
| RZ100 | 12/10 | 1/2 | | | | | | | | | |
| RZ100 | 15/12.5 | 1/2 | | | | | | | | | |
| RZ120 | 5/3 | 1/8 | | | | | | | | | |
| RZ120 | 6/4 | 1/8 | | | | | | | | | |
| RZ120 | 6/4 | 1/4 | | | | | | | | | |
| RZ120 | 6/4 | 3/8 | | | | | | | | | |
| RZ120 | 8/6 | 1/8 | | | | | | | | | |
| RZ120 | 8/6 | 1/4 | | | | | | | | | |
| RZ120 | 8/6 | 3/8 | | | | | | | | | |
| RZ120 | 10/8 | 1/4 | | | | | | | | | |
| RZ120 | 10/8 | 3/8 | | | | | | | | | |
| RZ120 | 12/10 | 3/8 | | | | | | | | | |
| RZ120 | 12/10 | 1/2 | | | | | | | | | |
| RZ120 | 15/12.5 | 1/2 | | | | | | | | | |
| RZ130 | 6/4 | 1/8 | | | | | | | | | |
| RZ130 | 6/4 | 1/4 | | | | | | | | | |
| RZ130 | 6/4 | 3/8 | | | | | | | | | |
| RZ130 | 8/6 | 1/8 | | | | | | | | | |
| RZ130 | 8/6 | 1/4 | | | | | | | | | |
| RZ130 | 8/6 | 3/8 | | | | | | | | | |
| RZ130 | 10/8 | 1/4 | | | | | | | | | |
| RZ130 | 10/8 | 3/8 | | | | | | | | | |
| RZ130 | 12/10 | 3/8 | | | | | | | | | |
| RZ140 | 5/3 | | | | | | | | | | |
| RZ140 | 6/4 | | | | | | | | | | |
| RZ140 | 8/6 | | | | | | | | | | |
| RZ140 | 10/8 | | | | | | | | | | |
| RZ140 | 12/10 | | | | | | | | | | |
| RZ140 | 15/12.5 | | | | | | | | | | |
| RZ150 | 6/4 | M10x1 | | | | | | | | | |
| RZ150 | 8/6 | M12x1 | | | | | | | | | |
| RZ150 | 10/8 | M14x1 | | | | | | | | | |
| RZ150 | 12/10 | M16x1 | | | | | | | | | |
| RZ150 | 15/12.5 | M20x1 | | | | | | | | | |
| RZ210 | 5/3 | 1/8 | | | | | | | | | |
| RZ210 | 6/4 | 1/8 | | | | | | | | | |
| RZ210 | 6/4 | 1/4 | | | | | | | | | |
| RZ210 | 6/4 | 3/8 | | | | | | | | | |
| RZ210 | 8/6 | 1/8 | | | | | | | | | |
| RZ210 | 8/6 | 1/4 | | | | | | | | | |
| RZ210 | 8/6 | 3/8 | | | | | | | | | |
| RZ210 | 10/8 | 1/8 | | | | | | | | | |
| RZ210 | 10/8 | 1/4 | | | | | | | | | |
| RZ210 | 10/8 | 3/8 | | | | | | | | | |
| RZ210 | 10/8 | 1/2 | | | | | | | | | |
| RZ210 | 12/10 | 3/8 | | | | | | | | | |
| RZ210 | 12/10 | 1/2 | | | | | | | | | |
| RZ210 | 15/12.5 | 1/2 | | | | | | | | | |
| RZ220 | 6/4 | 1/8 | | | | | | | | | |
| RZ220 | 6/4 | 1/4 | | | | | | | | | |
| RZ220 | 8/6 | 1/8 | | | | | | | | | |
| RZ220 | 8/6 | 1/4 | | | | | | | | | |
| RZ220 | 10/8 | 1/4 | | | | | | | | | |
| RZ230 | 6/4 | | | | | | | | | | |
| RZ230 | 8/6 | | | | | | | | | | |
| RZ230 | 10/8 | | | | | | | | | | |
| RZ230 | 12/10 | | | | | | | | | | |
| RZ230 | 15/12.5 | | | | | | | | | | |
| RZ300 | 6/4 | 1/8 | | | | | | | | | |
| RZ300 | 6/4 | 1/4 | | | | | | | | | |
| RZ300 | 8/6 | 1/8 | | | | | | | | | |
| RZ300 | 8/6 | 1/4 | | | | | | | | | |
| RZ300 | 10/8 | 1/8 | | | | | | | | | |
| RZ300 | 10/8 | 1/4 | | | | | | | | | |
| RZ300 | 10/8 | 3/8 | | | | | | | | | |
| RZ300 | 12/10 | 3/8 | | | | | | | | | |
| RZ300 | 15/12.5 | 1/2 | | | | | | | | | |
| RZ320 | 6/4 | 1/8 | | | | | | | | | |
| RZ320 | 6/4 | 1/4 | | | | | | | | | |
| RZ320 | 8/6 | 1/8 | | | | | | | | | |
| RZ320 | 8/6 | 1/4 | | | | | | | | | |
| RZ320 | 10/8 | 1/8 | | | | | | | | | |
| RZ320 | 10/8 | 1/4 | | | | | | | | | |
| RZ320 | 10/8 | 3/8 | | | | | | | | | |
| RZ320 | 10/8 | 1/2 | | | | | | | | | |

indice alfanumerico ordinato per codice

ordered by code указатель складских кодов



| sigla part number | codice code | pagina page | sigla part number | codice code | pagina page | sigla part number | codice code | pagina page | sigla part number | codice code | pagina page |
|----------------------|----------------|----------------|----------------------|----------------|----------------|----------------------|----------------|----------------|----------------------|----------------|----------------|
| RB700 | 14 | 36.1275.0 | 55 | RZ430 | 3/8 | 36.1371.0 | 10 | RR212 | 1/4 | AU.231.0 | 56 |
| RB710 | 4 | 36.1276.0 | 55 | RZ411 | 1/4 | 36.1372.0 | 50 | RR262 | 1/2 | AU.235.0 | 59 |
| RB710 | 6 | 36.1277.0 | 55 | RZ421 | 1/8 | 36.1373.0 | 50 | | | | |
| RB710 | 8 | 36.1278.0 | 55 | RZ421 | 1/4 | 36.1374.0 | 50 | | | | |
| RB710 | 10 | 36.1279.0 | 55 | RP020 | 6 | M12x1.25 | 36.1375.0 | 4 | | | |
| RB710 | 12 | 36.1280.0 | 55 | RP020 | 6 | M12x1.5 | 36.1376.0 | 4 | | | |
| RB710 | 14 | 36.1281.0 | 55 | RP115 | 6 | M12x1.25 | 36.1377.0 | 4 | | | |
| RB720 | 4 | 36.1282.0 | 55 | RP115 | 6 | M12x1.5 | 36.1378.0 | 4 | | | |
| RB720 | 6 | 36.1283.0 | 55 | | | AU.000.1 | 63 | | | | |
| RB720 | 8 | 36.1284.0 | 55 | | | AU.001.1 | 63 | | | | |
| RB720 | 10 | 36.1285.0 | 55 | | | AU.002.1 | 62 | | | | |
| RB720 | 12 | 36.1286.0 | 55 | | | AU.003.1 | 62 | | | | |
| RB720 | 14 | 36.1287.0 | 55 | | | AU.004.1 | 62 | | | | |
| RR111 | 3/8 | 36.1290.0 | 56 | | | AU.005.1 | 62 | | | | |
| RR112 | 3/8 | 36.1293.0 | 56 | | | AU.006.1 | 62 | | | | |
| RR211 | 3/8 | 36.1296.0 | 56 | | | AU.008.1 | 63 | | | | |
| RR212 | 3/8 | 36.1299.0 | 56 | | | AU.009.1 | 63 | | | | |
| RR121 | 1/4 | 36.1300.0 | 58 | | | AU.011.1 | 62 | | | | |
| RR121 | 3/8 | 36.1301.0 | 58 | | | AU.013.1 | 62 | | | | |
| RR221 | 1/4 | 36.1306.0 | 57 | | | AU.014.1 | 62 | | | | |
| RR221 | 3/8 | 36.1307.0 | 57 | | | AU.015.1 | 62 | | | | |
| RR221 | 1/2 | 36.1308.0 | 57 | | | AU.016.1 | 62 | | | | |
| RR251 | 1/4 | 36.1312.0 | 58 | | | AU.017.1 | 63 | | | | |
| RR251 | 3/8 | 36.1313.0 | 58 | | | AU.018.1 | 63 | | | | |
| RR251 | 1/2 | 36.1314.0 | 58 | | | AU.019.1 | 63 | | | | |
| RR252 | 1/4 | 36.1315.0 | 58 | | | AU.020.1 | 63 | | | | |
| RR252 | 3/8 | 36.1316.0 | 58 | | | AU.021.1 | 63 | | | | |
| RR252 | 1/2 | 36.1317.0 | 58 | | | AU.022.1 | 63 | | | | |
| RX020 | 4 | M5 | 36.1318.0 | 16 | | AU.023.1 | 63 | | | | |
| RX020 | 4 | 1/8 | 36.1319.0 | 16 | | AU.024.1 | 63 | | | | |
| RX020 | 6 | 1/8 | 36.1320.0 | 16 | | AU.025.1 | 63 | | | | |
| RX020 | 6 | 1/4 | 36.1321.0 | 16 | | AU.027.1 | 63 | | | | |
| RX020 | 8 | 1/8 | 36.1322.0 | 16 | AZ-SC1 | AU.040.0 | 65 | | | | |
| RX020 | 8 | 1/4 | 36.1323.0 | 16 | AZ-SEP1 | AU.041.0 | 65 | | | | |
| RX115 | 4 | M5 | 36.1324.0 | 16 | AZ-SFE1 | AU.042.0 | 64 | | | | |
| RX115 | 4 | 1/8 | 36.1325.0 | 16 | AZ-SE1 | AU.043.0 | 64 | | | | |
| RX115 | 6 | 1/8 | 36.1326.0 | 16 | AZ-SC2 | AU.044.0 | 65 | | | | |
| RX115 | 6 | 1/4 | 36.1327.0 | 16 | AZ-SEP2 | AU.045.0 | 65 | | | | |
| RX115 | 8 | 1/8 | 36.1328.0 | 16 | AZ-SFE2 | AU.046.0 | 64 | | | | |
| RX115 | 8 | 1/4 | 36.1329.0 | 16 | AZ-SE2 | AU.047.0 | 64 | | | | |
| RX215 | 4 | M5 | 36.1330.0 | 17 | AZ-SPL2 | AU.048.0 | 64 | | | | |
| RX215 | 4 | 1/8 | 36.1331.0 | 17 | AZ-SEP3 | AU.051.0 | 65 | | | | |
| RX215 | 6 | 1/8 | 36.1332.0 | 17 | AZ-SFE3 | AU.052.0 | 64 | | | | |
| RX215 | 6 | 1/4 | 36.1333.0 | 17 | AZ-SC3 | AU.053.0 | 65 | | | | |
| RX215 | 8 | 1/8 | 36.1334.0 | 17 | AZ-SE3 | AU.054.0 | 64 | | | | |
| RX215 | 8 | 1/4 | 36.1335.0 | 17 | AZ-SPL3 | AU.055.0 | 64 | | | | |
| RX040 | 4 | | 36.1336.0 | 18 | AZ-SFE5 | AU.057.0 | 64 | | | | |
| RX040 | 6 | | 36.1337.0 | 18 | AZ-SFE4 | AU.058.0 | 64 | | | | |
| RX040 | 8 | | 36.1338.0 | 18 | AZ-SPL5 | AU.059.0 | 64 | | | | |
| RX040 | 10 | | 36.1339.0 | 18 | AZ-SPL4 | AU.060.0 | 64 | | | | |
| RX040 | 12 | | 36.1340.0 | 18 | AZ-SE5 | AU.071.0 | 64 | | | | |
| RX130 | 4 | | 36.1341.0 | 17 | AZ-SE4 | AU.072.0 | 64 | | | | |
| RX130 | 6 | | 36.1342.0 | 17 | AZ-SC5 | AU.073.0 | 65 | | | | |
| RX130 | 8 | | 36.1343.0 | 17 | AZ-SC4 | AU.074.0 | 65 | | | | |
| RX130 | 10 | | 36.1344.0 | 17 | AZ-SEP5 | AU.075.0 | 65 | | | | |
| RX130 | 12 | | 36.1345.0 | 17 | AZ-SEP4 | AU.076.0 | 65 | | | | |
| RX230 | 4 | | 36.1346.0 | 17 | RR161 | 3/8 | AU.105.0 | 59 | | | |
| RX230 | 6 | | 36.1347.0 | 17 | RR261 | 1/2 | AU.108.0 | 59 | | | |
| RX230 | 8 | | 36.1348.0 | 17 | RR162 | 1/4 | AU.109.0 | 59 | | | |
| RX230 | 10 | | 36.1349.0 | 17 | RR161 | 1/2 | AU.110.0 | 59 | | | |
| RX230 | 12 | | 36.1350.0 | 17 | RR162 | 3/8 | AU.119.0 | 59 | | | |
| RX050 | 4 | M12x1 | 36.1351.0 | 18 | RR262 | 3/8 | AU.121.0 | 59 | | | |
| RX050 | 6 | M14x1 | 36.1352.0 | 18 | RR122 | 1/4 | AU.133.0 | 58 | | | |
| RX050 | 8 | M16x1 | 36.1353.0 | 18 | RR122 | 3/8 | AU.134.0 | 58 | | | |
| RX050 | 10 | M18x1 | 36.1354.0 | 18 | RR122 | 1/2 | AU.135.0 | 58 | | | |
| RX050 | 12 | M20x1 | 36.1355.0 | 18 | RR222 | 1/4 | AU.136.0 | 57 | | | |
| RX700 | 6-4 | | 36.1356.0 | 18 | RR222 | 3/8 | AU.137.0 | 57 | | | |
| RX700 | 8-6 | | 36.1357.0 | 18 | RR222 | 1/2 | AU.138.0 | 57 | | | |
| RX700 | 10-8 | | 36.1358.0 | 18 | RR261 | 1/4 | AU.148.0 | 59 | | | |
| RGX063 | 4 | 1/8 | 36.1359.0 | 19 | RR261 | 3/8 | AU.150.0 | 59 | | | |
| RGX063 | 6 | 1/8 | 36.1360.0 | 19 | RR161 | 1/4 | AU.151.0 | 59 | | | |
| RGX063 | 6 | 1/4 | 36.1361.0 | 19 | RR162 | 1/2 | AU.163.0 | 59 | | | |
| RGX063 | 8 | 1/8 | 36.1362.0 | 19 | RR121 | 1/2 | AU.192.0 | 58 | | | |
| RGX063 | 8 | 1/4 | 36.1363.0 | 19 | RR262 | 1/4 | AU.205.0 | 59 | | | |
| RGX053 | 4 | 1/8 | 36.1364.0 | 19 | RR111 | 1/8 | AU.213.0 | 56 | | | |
| RGX053 | 6 | 1/8 | 36.1365.0 | 19 | RR111 | 1/4 | AU.214.0 | 56 | | | |
| RGX053 | 6 | 1/4 | 36.1366.0 | 19 | RR211 | 1/8 | AU.219.0 | 56 | | | |
| RGX053 | 8 | 1/8 | 36.1367.0 | 19 | RR211 | 1/4 | AU.220.0 | 56 | | | |
| RGX053 | 8 | 1/4 | 36.1368.0 | 19 | RR112 | 1/8 | AU.226.0 | 56 | | | |
| RZ430 | 1/8 | | 36.1369.0 | 10 | RR112 | 1/4 | AU.227.0 | 56 | | | |
| RZ430 | 1/4 | | 36.1370.0 | 10 | RR212 | 1/8 | AU.230.0 | 56 | | | |

AZ PNEUMATICA s.r.l.

Via Marco Biagi, 6
20020 MISINTO (MI)
ITALIA

Tel. +39-02966911
Fax +39-02966911240

e-mail: azpneu@tin.it
<http://www.azpneumatica.com>

edizione Febbraio 2007

edition February 2007

издание Февраль 2007

tutti i dati forniti sono soggetti a modifiche senza preavviso

all provided data is subject to change without prior notice

AZ Pneumatica s.r.l. оставляет за собой право вносить
изменения в выпускаемое оборудование

per l'organizzazione di vendita rivolgersi all'ufficio commerciale

for appointed distributors please contact our commercial office

информации о сети продаж можно получать
от нашего коммерческого отдела